

Table of Contents

Retail Store	1 - 18
Pressure Washer	1 - 5
Garden Hose	6 - 11
Pneumatic	12 - 18
Engineered Fluid Transfer Couplings	19 - 25
Dry Evotek Couplings	19
Liquid Natural Gas	20
Overfill Protection Rack Monitor	21
Loading Arm Accessories	22 - 23
ADS - Industrial Fluid Controls	24 - 25
Hose Coupling Systems	26
Socket Weld Butterfly Valve Flanges	26
Cam & Groove	27 - 28
Global BSP Thread	27
Frac Pump Elbow Adapters	
Industrial Hose Fittings	29 - 32
Brass Fittings	29 - 31
Polyethylene Crimp Bauer Style	31 - 32
Hose and Tubing	33
Air Hose and Blow Gun	33
Clamps	34
Hose Clamp Drive, Assorted Clamps, and Safety Caps	34
Vacuum Fittings	35 - 46
KF Flanges and Fittings	35 - 39
ISO Flanges and Fittings	40 - 42
Vacuum Weld	43 - 45
MTR (Material Test Reports)	46
Sanitary/Hygienic Fittings	47 - 54
DX60 Series Hygienic Tanker Valve	47
HSG Hygienic Sight Glass	48
Single Pin Heavy Duty	49
SJSS Series Swivels	50
Fire Fittings and Accessories	51 - 54
Dry Hydrants	51
Fog Nozzles	52
Hose Reels	53
Reversible Concealed Angle Siamese Body	54
Nozzles, Spray Guns, and Accessories	55
Mixing Stations	55
Pneumatic Accessories	56
Filters, Mufflers, and Dryers	56
Hydraulic Fittings - Quick Disconnects	57 - 63
HT-Series Correct Connect®	57 - 62
TD-Series	63
Maintenance and Repair	64
Rapp-it Pipe Repair Kit and Display	64

Featured Products



Overfill Protection Rack Monitor
pg. 21



Frac Pump Elbow Adapters
pg. 28



HT-Series Correct Connect®
pgs. 57-62

Pressure Washer Display

The pressure washer display offers a wide variety of nozzles for different types of angles and sprays. This display is easily customizable and provides space for additional pressure washing products.



PART #: PW-RETAILKIT


Features

- Retail packaging
- Retail display signage
- Posters
- Barcodes

NOTE: Shelving is not included.

E-Series Hydraulic Couplings

Features

- Couplers have no internal valves, which provides maximum flow with minimum pressure drop
- Nitrile (Buna-N) seals are standard, providing a temperature range of -40°F to 250°F (-40°C to 121°C)
- Contact Dixon for additional seal material options
- Contact Dixon for pressure ratings and other technical information
- Interchanges with Parker ST, Foster FST, Hansen ST, and Tomco ST couplings
- Do not disconnect with pressure in line 

Straight Through Female Threaded Couplers



Body Size	Threads	Required Case Qty	Brass Part #
1/4"	1/4" - 18 NPTF	20	PW-2EF2-B
3/8"	3/8" - 18 NPTF	20	PW-3EF3-B

Straight Through Male Threaded Couplers

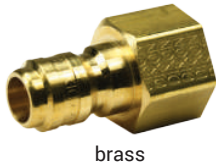


Body Size	Threads	Required Case Qty	Brass Part #
1/4"	1/4" - 18 NPTF	20	PW-2EM2-B
3/8"	3/8" - 18 NPTF	20	PW-3EM3-B

Straight Through Female Threaded Plugs



Body Size	Threads	Required Case Qty	Steel Part #	Brass Part #
1/4"	1/4" - 18 NPTF	20	---	PW-E2F2-B
3/8"	3/8" - 18 NPTF	20	PW-E3F3	PW-E3F3-B



Straight Through Male Threaded Plugs



Body Size	Threads	Required Case Qty	Steel Part #	Brass Part #
1/4"	1/4" - 18 NPTF	20	---	PW-E2M2-B
3/8"	3/8" - 18 NPTF	20	PW-E3M3	PW-E3M3-B



Pressure Washer Display Blue Bins

Feature

- To be used with E-Series hydraulic couplings above



Description	Required Case Qty	Part #
1 bin - 11" x 8" x 7"	1	PW-BLU-BINS
10 bins - 7 1/2" x 4" x 3"	1	

Swiveling Quick Couplings

Features

- Working pressure: **3,650 PSI**
- Flow rate: **7.8 GPM**
- Maximum temperature: **300°F (149°C)**
- For use with **AL456** only

Description	Required Case Qty	Part #
¼" female x 22 mm x 1.5 mm swivel	4	PW-AL450
⅜" female x 22 mm x 1.5 mm swivel	4	PW-AL453



PW-AL450



PW-AL453

Fixed Quick Coupling Plugs

Features

- Working pressure: **3,650 PSI**
- Flow rate: **7.8 GPM**
- Maximum temperature: **300°F (149°C)**
- For use with **AL453** and **AL9** only

Description	Required Case Qty	Part #
¼" female x 22 mm x 1.5 mm male	4	PW-AL454
⅜" female x 22 mm x 1.5 mm male	4	PW-AL456



PW-AL454



PW-AL456

Quick Connect Spray Nozzles

Description	Required Case Qty	Part #
¼" straight through plug inlet, 0° spray angle, size #4, red	4	PW-MSP400
¼" straight through plug inlet, 15° spray angle, size #4, yellow	4	PW-MSP415
¼" straight through plug inlet, 25° spray angle, size #4, green	4	PW-MSP425
¼" straight through plug inlet, 40° spray angle, size #4, white	4	PW-MSP440



Multi-Pack Quick Connect Nozzles

Description	Nozzles Included	Required Case Qty	Part #
¼", 65° spray angle, size #40	NZ6540QCS	4	PW-MSP4PAK
¼", 15° spray angle, size #4, yellow	MSP415		
¼", 25° spray angle, size #4, green	MSP425		
¼", 40° spray angle, size #4, white	MSP440		



Turbo Nozzles



PW-AL-TPR25-30



PW-AL-TPR25-50

Features

- 20° spray angle
- Maximum temperature: 212°F (100°C)
- Ceramic orifice

Nozzle Size	Description	Orifice	Maximum Working PSI	Required Case Qty	Part #
4.0	¼" female inlet, dk. green	1.30 mm	3,700	2	PW-AL-TPR25-30
5.5 - 6.0	¼" female inlet, purple	1.50 mm	3,700	2	PW-AL-TPR25-50

Pressure Washer Spray Nozzles



Description	Required Case Qty	Part #
¼" male inlet, 40° spray angle, size #40	4	PW-NZ4040S
¼" male inlet, 80° spray angle, size #40	4	PW-NZ8040S
¼" male NPT inlet, 15° spray angle, size 4	4	PW-NZ1504
¼" male NPT inlet, 25° spray angle, size 4	4	PW-NZ2504
¼" male NPT inlet, 40° spray angle, size 4	4	PW-NZ4004

Pressure Spray Gun - Anti-Fatigue



Features

- ⅜" female inlet
- ¼" female outlet
- Temperatures to: 300°F (149°C)
- Anti-fatigue pressure compensating design

Maximum PSI	GPM	Required Case Qty	Part #
5075	12.0	4	PW-HPSG

Pressure Spray Gun - Molded Grip Extension



PW-AL323XX



PW-AL324XX

Features

- For use with HPSG, HPSGC, HPSGHD, and HPSGW
- Maximum operating pressure: **5,000 PSI**
- Temperature: **300°F (149°C)**
- Maximum flow rate: **10.5 GPM**

Length	Description	Required Case Qty	Zinc Part #
24"	¼" male inlet x ¼" male outlet	4	PW-AL323XX
36"	¼" male inlet x ¼" male outlet, 4" space from the end	4	PW-AL324XX

Poster

Description	Required Case Qty	Part #
pressure washer accessories poster	1	PW-POSTER



Sign Holder

Description	Required Case Qty	Part #
end cap sign holder	2	SIGNHOLDER



End Cap Sign

Description	Required Case Qty	Part #
pressure washer accessories end cap sign	1	PW-SIGN



Shelf Graphic

Description	Required Case Qty	Part #
Dixon shelf graphic	2	SHELFGRAPHIC



Garden Hose Fittings

The garden hose fittings display offers a range of adapters and connectors, along with two styles of hoses. This display reminds your customers of their garden hose-related needs: demanding industrial clean up or at-home projects.



PART #: GHD-RETAILKIT

Features

- Retail packaging
- Retail display signage
- Posters
- Barcodes

NOTE: Shelving is not included.

GHT Ball Valve

Features

- Maximum temperature: **140°F (60°C)** (hot water)
- Working pressure: **100 PSI**



Description	Required Case Qty	Forged Brass Part #
3/4" male NH x female NH	6	GHD-500GHV

Quick Connects

Features

- Easy push-pull ring for long-lasting and quick hose attachments
- Maximum operating pressure: **150 PSI** at ambient temperature 70°F (21°C)
- Maximum temperature: **140°F (60°C)**



Description	Required Case Qty	Kit Contains Part #	Brass Part #
complete assembly, female GHT coupler x male GHT plug	6	500QCF (2) 500QCM	GHD-500QCK

Short Shank Fittings

Features

- Extended male GHT - deeper thread
- Complete coupling set is shipped unassembled



Hose Size	Required Case Qty	Kit Contains Part #	Brass Part #
3/4"	6	5851212C 5881212C	GHD-5891212K

Menders

Hose Size	Required Case Qty	Kit Contains Part #	Brass Part #
3/4"	6	1781212C (2)	GHD-1781212C



Sweeper Nozzle

Thread Size	Discharge	Length	Required Case Qty	Brass Part #
3/4" GHT	3/16"	2"	6	GHD-PSN76



Adjust-A-Power Nozzle

Features

- Ideal for patio, auto and boat, driveway, and garden
- Produces 50% more power than twist nozzles
- Does not require a washer
- Leave nozzle in the open position when not in use
- Brass construction with stainless steel bearings
- Maximum operating pressure: **100 PSI** (water only) at ambient temperature 70°F (21°C)



Thread Size	Required Case Qty	Brass Part #
3/4" GHT	6	GHD-AAPN75GHT



Twist Nozzle

Feature

- Maximum operating pressure 150 PSI (water only)

Thread Size	Length	Required Case Qty	Extruded Brass Part #
3/4" GHT	4"	6	GHD-500AN4



Insulated Water Nozzles

Features

- Clip locks to any spray pattern
- Industrial strength nylon handle
- Rubber handle guard
- GHT thread-on head
- Heavy-duty brass valve and adjusting nut
- For use with hot water up to 140°F (60°C)

Thread Size	Required Case Qty	Chrome-Plated Zinc Part #
3/4" GHT	4	GHD-SN75



Washers

Filter Washer

Description	Kit Contains Part #	Required Case Qty	FDA black PVC duro, 70a Part #
304 stainless steel mesh, FDA black 70a duro PVC	5911212F (4)	6	GHD-5911212F



Black SBR Washer

ID	OD	duro	Kit Contains Part #	Required Case Qty	Black SBR Part #
0.63"	1.00"	80	5911212W (4)	100	GHD-5911212W



Female GHT Adapter

Female x Female	Required Case Qty	Brass Part #
3/4" x 3/4"	6	GHD-5061212C



Hydrant Adapters - Pin Lug

Female NH	Male GHT	Required Case Qty	Cast Brass Part #
1 1/2"	3/4"	4	GHD-HA1576
2 1/2"	3/4"	4	GHD-HA2576

Y Coupler

Features

- Maximum working pressure: 100 PSI
- Maximum temperature: 140°F (60°C)

Required Case Qty	Nickel-Plated Brass Part #
6	GHD-500YC



Y Valve

Features

- Double Y valve, swivel inlet - with Higbee cut threads (capped) to prevent cross threading
- Maximum temperature: 140°F (60°C) (hot water)
- Working pressure: 100 PSI

Description	Required Case Qty	Forged Brass Part #
double male GHT x female GHT	6	GHD-500GHY



Plain Hose Nozzles

Features

- Finish: satin
- Maximum operating pressure: 100 PSI (water only) at 70°F (21°C)

Size	Thread	Overall Length	Orifice	Required Case Qty	Brass Part #
3/4"	GHT	6"	1/4"	6	GHD-BN6



GHT 4-Valve Manifold

Features

- Forged brass body, stainless steel balls, PTFE seals
- Swivel inlet
- Maximum temperature: 120°F (49°C)
- Maximum operating pressure: 100 PSI

Description	Required Case Qty	Part #
(4) male GH x female GHT	4	GHD-500GH4VBK



Constant Flow Nozzle Displays

Features

- Shatter-resistant and UV resistant polycarbonate is able to withstand tough environmental conditions
- Seals used for true water shut off
- Easy twist spray pattern adjustment
- Sold in case quantity only (25 per case), with display

Thread	45° Spray GPM @ 100 PSI	Color	Required Case Qty	Part #
3/4" GHT	25.1	clear	1	GHD-CNB75GHT-GD
3/4" GHT	25.1	green	1	FNB75GHT-GD
3/4" GHT	25.1	pink	1	BCA75GHT-GD



Worm Gear Clamps



Features

- Clamp meets SAEJ1508, which supersedes Mil Spec WW-C-440B
- Four-piece construction
- Screw design: 5/16" slotted hex head
- Maximum recommended torque: 50 in-lbs
- All clamps sold 10 per box

Materials

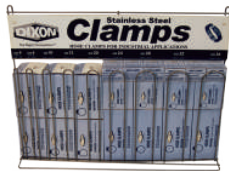
- Band and housing: SAE 300 series stainless
- Screw: SAE 300 series stainless

Band Width	Hose OD		Kit Contains Part #	Required Case Qty	Part #
	from	to			
1/2"	1/2"	29/32"	HSS8 (10)	4	GHD-HSS8
	11/16"	1-1/14"	HSS12 (10)	4	GHD-HSS12

Clamp Rack

Features

- Top load metal rack made of nickel plated steel rods with enameled steel sign
- Sign identifies each clamp size and diameter range
- Rack with clamps contains 9 clamp sizes with diameter ranges from 7/32" to 2-3/4"
- Clamps included are: 30 of part# MH4, 30 of part# MH6, 20 of part# HS10, 20 of part# HS12, 20 of part# HS20, 20 of part# HS24, 20 of part# HS28, 20 of part# HS32, 20 of part# HS36



Description	Required Case Qty	Part #
with 200 clamps	1	CRWC

Rubber Vinyl Garden Hose



Features

- Extra tough, five-ply construction
- Exclusive, soft textured, abrasion-resistant green cover
- Dual reinforced, heavy-duty, flexible kink-resistance
- Combines durability of rubber and easy handling of vinyl
- SEAL-TITE® leakproof coupling
- Working pressure: **400 PSI**
- Temperature range: **0°F to 140°F (-18°C to 60°C)**

Size	Required Case Qty	Rubber Vinyl Part #
5/8" x 50'	2	GHD-SGH50

Contractors EPDM Water Hose



Features

- Heavy-duty, crush-proof solid brass couplings with wrench grips
- Spiral synthetic cord reinforcement
- Black cover
- Working pressure: **150 PSI**
- Temperature range: **-20°F to 180°F (-29°C to 82°C)**

Size	Required Case Qty	EPDM Part #
3/4" x 50'	2	GHD-CWH50

Poster

Description	Required Case Qty	Part #
garden hose fittings poster	1	GHD-POSTER



Sign Holder

Description	Required Case Qty	Part #
end cap sign holder	2	SIGNHOLDER



End Cap Sign

Description	Required Case Qty	Part #
garden hose fittings end cap sign	1	GHD-SIGN



Shelf Graphic

Description	Required Case Qty	Part #
Dixon shelf graphic	2	SHELFGRAPHIC



Pneumatic Fittings

The pneumatic fittings display offers several parts, from FRLs to quick disconnects, while keeping a single product focus. This display gives your customers the flexibility to choose which fittings work best with their pneumatic systems.



PART #: PND-RETAILKIT

Features

- Retail packaging
- Retail display signage
- Posters
- Barcodes

NOTE: Shelving is not included.

B07 Carded Miniature Filter/Regulator

Features

- Pressure range: **5-100 PSI**
- Relieving type
- 5 micron element
- 1 oz. reservoir
- Push to lock adjusting knob
- Inlet pressure: **150 PSI** maximum
- Maximum temperature: **125°F (52°C)**
- Supplied with a GC620 gauge
- Bowl guard not available
- Transparent bowl



Port Size	Flow (SCFM)	Required Case Qty	Automatic Drain Part #	Manual Drain Part #
¼"	14	4	PND-B07-202AGC	PND-B07-202MGC

F07 Carded Miniature Filter

Features

- 5 micron element
- 1 oz. reservoir
- Inlet pressure: **150 PSI** maximum
- Maximum temperature: **125°F (52°C)**
- Transparent bowl



Port Size	Flow (SCFM)	Required Case Qty	Automatic Drain Part #	Manual Drain Part #
¼"	24	4	PND-F07-200AC	PND-F07-200MC

R07 Carded Miniature Regulator

Features

- Pressure range: **5-100 PSI**
- Relieving type
- Inlet pressure: **250 PSI** maximum
- Maximum temperature: **150°F (66°C)**
- Supplied with a GC620 gauge



Port Size	Flow (SCFM)	Required Case Qty	With Gauge Part #
¼"	15	4	PND-R07-200RGC

L07 Carded Miniature Lubricator

Features

- 1 oz. reservoir
- Inlet pressure: **150 PSI** maximum
- Maximum temperature: **125°F (52°C)**



Port Size	Flow (SCFM)	Required Case Qty	With Transparent Bowl Part #
¼"	14	4	PND-L07-200AC

SCFM ratings given at **100 PSIG** inlet pressure for regulators, **90 PSIG** for others.



FRLs are designed for air service only, unless otherwise indicated.

Heavy-Duty Tire Pressure Gauge



Features

- 12" hose with swivel dual foot chuck inflator
- Tapered chuck nut fits wheel cover holes on cars and light trucks
- Calibrated in **2 PSI** increments from **10 to 120 PSI**

Required Case Qty	Part #
3	PND-D101

Tire Inflator Chuck



Features

- Ball foot chuck
- For direct connection to live air only
- Features a built-in shutoff valve (will not work on inflator gauges)
- ¼" NPT female thread
- Maximum pressure: **150 PSI**

Required Case Qty	Brass Part #
6	PND-D104

Dual Foot Tire Pressure Gauge



Features

- Heavy-duty hang-up ring
- Calibrated in **2 PSI** increments from **10 to 150 PSI**

Required Case Qty	Part #
6	PND-DFG2

Professional Tire Pressure Gauge



Features

- Permanently lubricated
- Easy to read, dual calibrated (PSI and kPa), four-sided nylon indicator bar
- Body is made of chrome-plated brass; head is chrome-plated zinc
- Pocket clip
- Calibrated in **1 PSI** increments from **5 to 45 PSI**

Required Case Qty	Part #
6	PND-DFG5

Male NPTF x Hose Barb



Hose ID	Male NPTF	Required Case Qty	Kit Contains Part #	Brass Part #
3/8"	1/4"	6	1020604C (4)	PND-1020604C

5 Part Kit DF Series Industrial 1/4" Body x 1/4" Thread

Body Size	Threads	Required Case Qty	Kit Contains Part #	Part #
1/4"	1/4" - 18 NPTF	6	D2F2	PND-DQCKIT1
			2FF2-B	
			D2M2 (3)	
1/4"	1/4" - 18 NPTF	6	D2F2	PND-DQCKIT2
			2DF2-B	
			D2M2 (3)	



2 Part Kit M Series ARO 1/4" Body x 1/4" Thread

Body Size	Threads	Required Case Qty	Kit Contains Part #	Part #
1/4"	1/4" - 18 NPT	6	2MF2-B	PND-DQCKIT3
			M2M2	



2 Part Kit J Series Automotive 1/4" Body x 1/4" Thread

Body Size	Threads	Required Case Qty	Kit Contains Part #	Part #
1/4"	1/4" - 18 NPT	6	2JF2-B	PND-DQCKIT4
			J2M2	



2 Part Kit DF Series Industrial 1/4" Body x 1/4" Thread

Body Size	Threads	Required Case Qty	Kit Contains Part #	Part #
1/4"	1/4" - 18 NPTF	6	D2M2	PND-DQCKIT5
			2FF2-B	



2 Part Kit DF Series Industrial 1/4" Body x 1/4" Thread

Body Size	Threads	Required Case Qty	Kit Contains Part #	Part #
1/4"	1/4" - 18 NPTF	6	2FM2-B	PND-DQCKIT6
			D2F2	



Non-Safety Rubber Tip Blow Gun



The rubber tip will not scratch or mar delicate surfaces. The conical rubber tip can also be used to create a seal between the blow gun and fluid lines (or any other opening). The base of the tip is nickel-plated brass for additional corrosion resistance. *Must be used on air lines having a maximum regulated pressure of 30 PSI in order to comply with OSHA Standard 1910.242 (B). Safety glasses or shield must be worn when using any blow gun.*



Features

- Chrome plated zinc die cast body, nickel plated steel lever, vinyl thumb grip, stainless steel spring, brass valve, Buna-N seals, and rubber tip with a nickel plated brass base provide corrosion resistance

Required Case Qty	Part #
6	PND-D201

Air Chief Safety Blow Gun



The Air Chief safety blow gun is designed to conform to OSHA Standard 1910.242 (B) permitting a maximum of 30 PSI outlet pressure when dead ended based on a maximum of 150 PSI inlet pressure, as well as OSHA Standard 1910.95 regulating occupational noise level exposure. *Safety glasses or shield must be worn when using any blow gun.*



Features

- Recessed internal slotted screw allows easy access to valve assembly for repairs or replacement
- Chrome plated zinc die cast body, nickel-plated steel lever, vinyl thumb grip, stainless steel spring, brass valve, Buna-N seals, and nickel plated brass tip combine for corrosion resistance

Required Case Qty	Part #
6	PND-D204-30

3 in 1 Manifold



Features

- Supplies three air-operated tools from a single hose permitting use of air by more than one mechanic
- Can be mounted to a pipe at workbench or overhead
- Different tools in the shop use different styles of couplers; mount three different style couplers on one manifold

NPT Inlet (1)	NPT Outlets (3)	Required Case Qty	Aluminum Part #
3/8"	1/4"	6	PND-D3406

Pinch-On Clamp Service Kit



Features

- Plastic kit box contains zinc plated 2-ear clamps: 15 of part #0709, 15 of part #0811, 15 of part #1113, 15 of part #1315, 15 of part #1518, 12 of part #1720, 12 of part #2023, 12 of part #2225, 12 of part #2327, and 1 pair of standard jaw pincers, part# 1098

Required Case Qty	Part #
2	PND-SK1098

ABS Standard Dry Gauge Kit-Retail Package

Description	Kit Contains Part #	Required Case Qty	ABS Part #
dry gauge center back mount	GC230 (4)	1	PND-GAUGEKIT1
dry gauge lower mount	GL130 (7)		



Polyurethane Air Hose (fittings included)

Features

- Durable and lightweight
- Nylon-reinforced braid allows for higher working pressure
- Excellent flexibility
- Oil resistant
- Durometer: Shore A 85
- Temperature range: -40°F to 155°F (-40°C to 68°C)
- Working pressure: 210 PSI at 70°F (21°C)



Hose ID	Length	Male NPT	Required Case Qty	Polyurethane Part #
¼"	50'	¼"	3	PND-450-4S

Coil-Chief Self-Storing Air Hose (fittings included)

Features

- Supplied with swivel on one end
- Nylon construction



Hose ID	Length	Male NPT	Working Pressure (PSI) @ 70°F (21°C)	Required Case Qty	Nylon Part #
¼"	12'	¼"	185	3	PND-CC1412

Polyurethane Self-Storing Air Hose (fittings included)

Features

- Extremely flexible; resists kinking
- Impervious to abrasions, heat, and oil
- Superior elasticity and coil memory
- Both ends swivel



Hose ID	Length	Male NPT	Working Pressure (PSI) @ 70°F (21°C)	Required Case Qty	Polyurethane Part #
¼"	25'	¼"	145	3	PND-PU1425

Air Tool Lubricants



Application

- High-grade lubricant prolongs the service life of air tools, cylinders, and accessories

Features

- #10 weight lubricant
- Prohibits rust and removes moisture as it lubricates
- Non-corrosive, non-reactive, and does not decompose
- Easy pour spout helps prevent costly spills

Size	Required Case Qty	Part #
1 pint	4	PND-DATL016
1 gallon	2	PND-DATL128

Poster



Description	Required Case Qty	Part #
pneumatic fittings poster	1	PND-POSTER

Sign Holder



Description	Required Case Qty	Part #
end cap sign holder	2	SIGNHOLDER

End Cap Sign



Description	Required Case Qty	Part #
pneumatic fittings end cap sign	1	PND-SIGN

Shelf Graphic



Description	Required Case Qty	Part #
Dixon shelf graphic	2	SHELFGRAPHIC

Dry Evotek Couplings

Applications

- Specifically designed for use in the chemical industry
- Rotating the coupling 120° clockwise opens the valves where the pressure engagement between hose and tank unit ensures a strong connection

Size

- 1", 1½", and 2"
- Additional sizes upon request

Features

- Low connecting forces even against pressure
- Ergonomic handle on 1½" and 2" sizes
- Good transmission ratio in the cam curve
- Wide range of chemical resistance due to high-quality material selection
- Minimized spillage during de-coupling

Materials

- Body: stainless steel 1.4404
- Handle: PP polypropylene; 1" does not come with a handle
- O-rings: FPM, NBR, EPDM, FFKM
- Standard seal: FKM
- Optional seal: EPDM, NBR, and FFKM

Specification

- Working pressure: **360 PSI** at ambient temperature **70°F (21°C)**

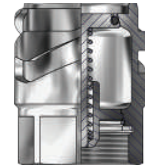
Approvals

- PED 2014/68/EU 4.3
- ATEX 2014/34/EU Category 3G



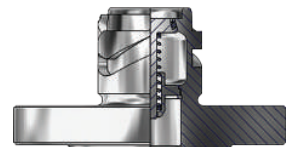
Adapter x Female NPT

Female NPT	Body Size	Part #
1"	59.5 mm	DDEA100SS
1½"	89 mm	DDEA150SS
2"	106 mm	DDEA200SS



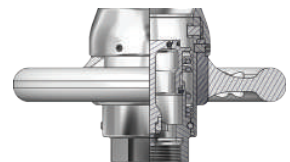
Adapter x 150# Flange

150# Flange	Body Size	Part #
1"	59.5 mm	DDEA100SSFL
1½"	89 mm	DDEA150SSFL
2"	106 mm	DDEA200SSFL



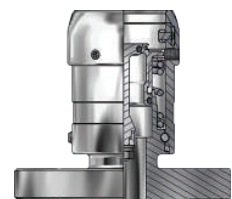
Coupler x Female NPT

Female NPT	Body Size	Part #
1"	59.5 mm	DDEC100SS
1½"	89 mm	DDEC150SS
2"	106 mm	DDEC200SS

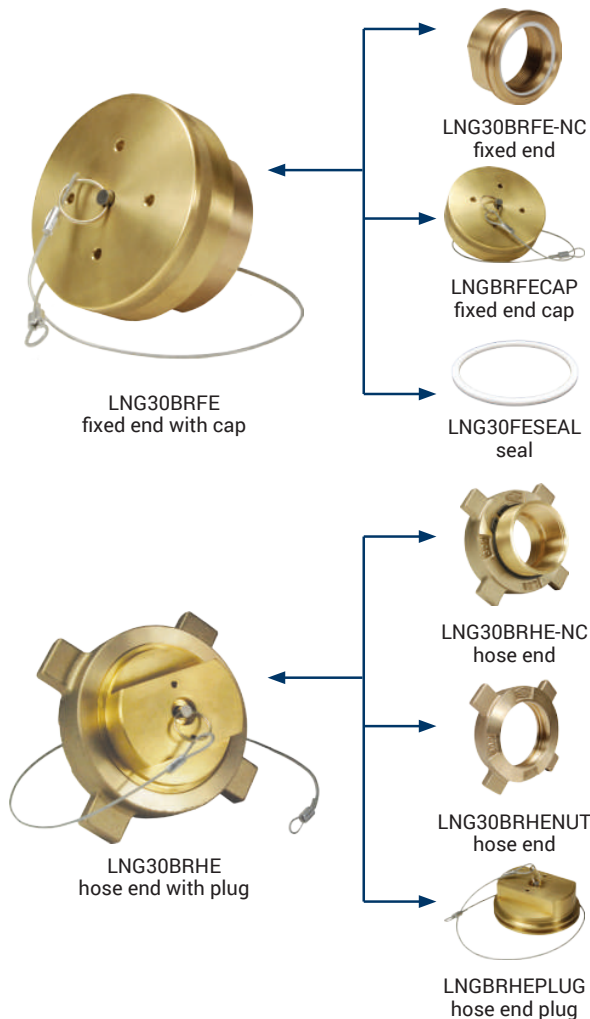


Coupler x 150# Flange

150# Flange	Body Size	Part #
1"	59.5 mm	DDEC100SSFL
1½"	89 mm	DDEC150SSFL
2"	106 mm	DDEC200SSFL



Liquid Natural Gas Couplings



Application

- Safe and reliable transfer of cryogenic liquefied natural gas (LNG) products to transport equipment such as cargo tanks, portable tanks, and liquefied natural gas liquid production facilities

Sizes

- 2", 3"

Features

- Fixed end design threads on tank truck pipe connection line, manifold, pipe outlet, or pipe connection
- PTFE gasket reduces force needed to make a tight connection
- Connect by hammering the acme threaded nut onto a fixed end
- Hose end designed female NPT thread to attached to hose end
- Snap ring keeps connection nut in place for easier connecting
- Hose end lugs intended to be struck with a non-sparking hammer or similar non-sparking device

Materials

- Body: brass
- Seal: PTFE

Specifications

- Compatible with LNG couplings made to CGA guidelines
- Temperature as low as **-320°F (-196°C)** at standard LNG transfer pressures
- **450 PSI** working pressure with 4 to 1 safety factor

Approval

- Meets CGA V-6 LNG-30 guidelines

Size	Description	Part #
2"	LNG30 fixed end with 2" female NPT thread / cap and retaining cable	LNG20BRFE
3"	LNG30 fixed end with 3" female NPT thread / cap and retaining cable	LNG30BRFE
3"	LNG30 fixed end with 3" female NPT thread	LNG30BRFE-NC
3"	LNG30 PTFE seal	LNG30FESEAL
---	Cap for LNG30BRFE and LNG20BRFE	LNGBRFECAP

Size	Description	Part #
2"	LNG30 hose end with 2" female NPT thread / with plug and retaining	LNG20BRHE
3"	LNG30 hose end with 3" female NPT thread / with plug and retaining	LNG30BRHE
2"	LNG20 hose end with 2" female NPT thread	LNG20BRHE-NC
3"	LNG30 hose end with 3" female NPT thread	LNG30BRHE-NC
3"	LNG30 swivel nut	LNG30BRHENUT
---	Plug for LNG30BRHE and LNG20BRHE	LNGBRHEPLUG

Overfill Protection Rack Monitor and Accessories

Applications

- Installed on the gantry to control the loading process of petroleum fuels or other hazardous liquid into cargo tanks

Features

- Automatically switches between 2-wire or 5-wire type sensors
- Compatible with analog 2-wire thermistor type sensors
- Redundant relay outputs prevent single point failures
- Data management via RS485 port
- Wireless bypass key system
- Ground verification
- Reads trailer identification modules

Approvals

- Meets API RP1004 and EN13922 standards
- Suitable for Class I, Division 1, Group CD and Class I, Zone 1, Group IIB

Part #	Rack Monitors
FT7000	Rack monitor, auto switch 2-wire/5-wire ground detect with trailer identification module detection. API 1004 / EN13922
Junction Boxes	
FT7500	Single cord junction box
FT7501	Dual cord junction box
FT7502	Junction box with Cole Hersee yellow 13 pin breakaway
FT7503	Junction box with D-type pigtail breakaway
Safe-T Connect Junction Boxes with Cord	
FT7600	8 pin, 2J, green API plug and 30' safety orange coiled cable
FT7600-4	8 pin, 4J, green API plug and 30' safety orange coiled cable
FT7600C	10 pin, 4J, green API plug and 30' safety orange coiled cable
FT7600P	8 pin, 2J, green API plug and 30' safety orange coiled cable, with plug-n-play connector
FT7600S	8 pin, 2J, green API plug and 20' safety orange straight cable
FT7620	6 pin, 3J, blue API plug and 30' blue coiled cable
FT7620P	6 pin, 3J, blue API plug and 30' blue coiled cable, with plug-n-play connector
FT7620S	6 pin, 3J, blue API plug and 20' blue straight cable
FT7630	10 pin, 4J, black plug per EN13922, and 30' blue shielded coiled cable
FT7630D	10 pin, 4J, black plug per EN13922, and 30' blue shielded coiled cable with plug-n-play Connector
Rack Cords	
FT600	8 pin, 2J, API thermistor plug and 30' safety orange coiled cable
FT600-4	8 pin, 4J, API thermistor plug and 30' safety orange coiled cable
FT600C	10 pin, 4J, API thermistor plug and 30' safety orange coiled cable
FT600P	8 pin, 2J, API thermistor plug and 30' safety orange coiled with plug-n-play connector
FT600S	8 pin, 2J, API thermistor plug and 20' safety orange straight cable
FT620	6 pin, 3J, optic plug and 30' blue coiled cable
FT620P	6 pin, 3J, optic plug and 30' blue coiled cable, with plug-n-play connector
FT620S	6 pin, 3J, optic plug and 20' blue straight cable
FT630	10 pin, 4J, black plug per EN13922, and 30' blue shielded coiled cable
FT630D	10 pin, 4J, black plug per EN13922, and 30' blue shielded coiled cable with plug-n-play connector



Bayloc® Vapor Coupler with Locking Handle

Application

- For use in petroleum loading terminals

Materials

- Body: aluminum
- Seals: FKM

Specification

- Maximum operating pressure: 120 PSI



Size	Part #
3"	DBC62LVPR-300

TTMA Handle Kit - Compact

Application

- For various applications that utilize 4" TTMA connections, allowing for improved ergonomics when handling hoses

Features

- Includes Dixon D-handle
- Lightweight construction



Size	Aluminum Part #
4"	TTMAHK-C

Counterbalance Clamps

Features

- Loading arm connecting clamp for counterbalance
- Includes necessary hardware to attach to pipe leg; hardware to attach counterbalance pivot arm bar not included
- Used to connect the pivot arm bar of ESB1 counterbalance units to the base swivel of a loading arm



Size	Material	Part #
2"	Stainless steel	ESB-CLAMP-2
3"	Ductile iron	ESB-CLAMP-3
4"	Ductile iron	ESB-CLAMP-4

Top Loading Valves

Application

- For use in top loading fuels and other low-viscosity media

Features

- BSP threaded vacuum breaker standard
- TTMA flanges on both ends standard
- Manually operated "deadman" style with spring-loaded handle
- Optional remote handle available
- Manual or remote controlled valve mounts before the loading arm leg to allow for flow control

Materials

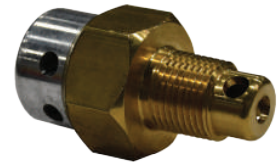
- Valve: aluminum
- Vacuum breaker body: brass
- Vacuum breaker housing: aluminum
- Seals: FKM



TLV-300TFVBVIAL



AT1350-3



VB-050-BSP

Size	Description	Part #
3"	Top loading valve with vacuum breaker	TLV-300TFVBVIAL
4"		TLV-400TFVBVIAL
3"	Valve remote, handle, and bracket kit	AT1350-3
4"		AT1350-4
½"	Vacuum breaker, BSP threads	VB-050-BSP
	Vacuum breaker, NPT threads	VB-050-NPT

Top Loading Diffusers/T-Deflectors

Application

- Installed on drop leg of a top-load loading arm to distribute media evenly to help reduce splash

Features

- Diffusers distribute media evenly 360°
- T-deflectors distribute media to the sides of the tank, railcar, or tote



TLD-300S



TLTD-400S

Size	Description	Aluminum Part #
3"	360° diffuser	TLD-300S
	T-deflector	TLTD-300S
4"	360° diffuser	TLD-400S
	T-deflector	TLTD-400S

ADS Spillguard™ Systems



Application

- Shutdown and alarm system for tank cars, tank trucks, barges, and ships; suitable for open and closed domes

Sizes

- Standard cable lengths: 15', 25', and 50'; other lengths available
- Insertion lengths 4" to 60" standard; other lengths available

Features

- Rugged, explosion-proof, weather-, chemical-, and corrosion-resistant
- LED status lights visible through glass cover
- Inserts into tank through standard ½" NPT fitting
- Probe can be portable or permanently installed in the vessel
- Laser-engraved graduated rod with ¼" graduations
- Probe-to-controller cable protected by stainless steel interlocking armor sheath and heavy-duty latching connectors at both ends
- Fail-safe design: unit trips in the event of an open or shorted cable or loss of power
- Choice of capacitance, conductivity, or single-point ultrasonic sensors
- Input power: 120 VAC, 240 VAC, or 24 VDC, 2.5 watts
- Output relay de-energizes on high level, broken, or shorted sensor cables, or upon loss of power
- Sensor excitation open circuit voltage 8 VDC, short circuit current 8 mA with built-in FM-approved barrier
- Optional self-test feature, tilt and ground verification interlocks, and latching circuit available

Materials

- Wetted materials: 316 stainless steel and PTFE standard; other materials available
- Controller housing NEMA 4X, NEMA 7, Explosion Proof, Class I, II, Groups B, C and D

Specifications

- Minimum dielectric constant: 1.8
- Temperature range:
 - capacitance probe: -14°F to 250°F (-26°C to 121°C)
 - high-temp capacitance probe: -14°F to 325°F (-26°C to 163°C)
- Probe pressure rating: **50 PSI** with standard fitting; consult Dixon for applications up to **300 PSI**
- Sensor suitable for Class I, II, III, Div 1, Groups A, B, C, and D when used with supplied controller and cable lengths of 10,000' or less
- Each channel has a SPDT relay output, rated 1 amp 125 VAC

Approvals

- Cable connectors designed for repeated mating meet IP 65 mechanical and environmental specifications
- FM, CSA HAZ Loc Class I Div I, Groups B, C and D

A210 Spillguard™ Monitors

Monitor Options	24V DC Part #	120V DC Part #
dual channel control monitor	A212-24	A212-120

ADS Gauge Rods

Application

- Used to gauge liquid levels in any mobile tank

Size

- ½" x .065 weight

Features

- Laser engraved scale with ¼" graduations
- Rods come in two sections that screw together at the midpoint
- Foot marks inscribed on rod at 1' intervals below the inch mark
- Heavy-duty plastic handle



laser engraving closeup

Description	Part #	316 Stainless Steel Part # w/sliding innage bar
gauge rod, 4' length, one piece	ADS4GR	ADS4GR-IB
gauge rod, 8' length, two piece	ADS8GR	ADS8GR-IB
gauge rod, 12' length, two piece	ADS12GR	ADS12GR-IB



Rubber Cable

Length	3 Pin Part # ¹
25'	A200CB3P25
30'	A200CB3P30



¹For use with (-M) mini connectors only.

ADS Parts and Accessories

Description	Part #
tri-color external signal light 24V DC	A210-24TC



Socket Weld Butterfly Valve Flanges

**Application**

- Used in the piping systems within hydraulic fracturing operations for the transfer of fluids and slurries

Feature

- Slip-on butterfly flanges for welding on to 4", 5", and 8" pipe

Size	# of Bolt Holes	Carbon Steel Part #
4"	6	HSW400
5"	6	HSW500
8"	8	HSW800

Global BSP Thread Cam & Groove

Features

- Interchanges with products produced to A-A-59326D
- Pressure rating for adapters is based on the seal of the mating part
- Couplers: buna seal is standard

Type A - adapter x female BSP

Size	316 Investment Cast Stainless Steel Part #
1½"	G150-A-SSBSP
2"	G200-A-SSBSP



Type B - coupler x male BSP

Size	316 Investment Cast Stainless Steel Part #
1½"	G150-B-SSBSP
2"	G200-B-SSBSP



Type D - coupler x female BSP

Size	316 Investment Cast Stainless Steel Part #
1½"	G150-D-SSBSP
2"	G200-D-SSBSP



Type F - adapter x male BSP

Size	316 Investment Cast Stainless Steel Part #
1½"	G150-F-SSBSP
2"	G200-F-SSBSP



Frac Pump Elbow Adapters

Applications

- Simplifies the plumbing to and from pumps
- Eliminates multiple adapters and thread connections

Features

- Used with RZL positive displacement frac pumps
- Reduces leak paths

Material

- Seal: rubber (styrene butadiene)

Specifications

- Working pressure: **250 PSI**
- 316 stainless steel meets AISI standards



Cam & groove adapter x NPSM swivel nut

Size	316 Stainless Steel Part #
1" x 1½"	RPDA901510
1½" x 1½"	RPDA90150



Male NPT x NPSM swivel nut

Size	316 Stainless Steel Part #
1" x 1½"	RPDM901510
1½" x 1½"	RPDM90150

Male NPTF x Hose Barb

Applications

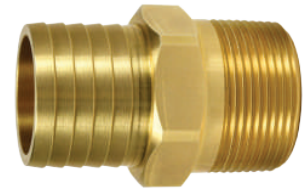
- Industrial air and non-potable water
- Compressor lines, pneumatic tools, and low-pressure spray
- Construction air and water transfer¹

Specifications

- 150 PSI at 40°F (4°C), 250 PSI at 72°F (22°C)
- Temperature range: -40°F (-40°C) to 160°F (71°C)
- Additional sizes on page 211 of the DPL418 catalog

Hose ID	Male Thread	Brass Part #
3/4"	3/8" NPTF	1021206C
1"	1/2" NPTF	1021608C
1"	1 1/4" NPT	1021620C ¹
1 1/2"	1" NPTF	1022416C ¹
1 1/2"	1 1/4" NPT	1022420C ¹

¹Maximum pressure: 150 PSI, for liquid only.



Male NPTF Swivel x Hose Barb

Applications

- Industrial air and non-potable water
- Compressor lines, pneumatic tools, and low-pressure spray
- Construction air and water transfer

Specifications

- 120 PSI
- Temperature range: -40°F (-40°C) to 160°F (71°C)
- Additional sizes on page 211 of the DPL418 catalog

Hose ID	Male NPTF Swivel	Brass Part #
1/4"	3/8"	1030406C
5/16"	1/4"	1030504C
5/8"	1/2"	1031008C
3/4"	1/4"	1031204C
3/4"	1/2"	1031208C

NOTE: Swivel is for assembly convenience only, not for live swivel applications.



Female PTF-SAE Short Swivel x Hose Barb

Applications

- Industrial air and non-potable water
- Compressor lines, pneumatic tools, and low-pressure spray
- Construction air and water transfer

Specifications

- 120 PSI
- Temperature range: -40°F (-40°C) to 160°F (71°C)
- Additional sizes on page 217 of the DPL418 catalog

Hose ID	Female PTF-SAE Short Swivel	Brass Part #
1/4"	3/8"	1050406C
5/16"	1/4"	1050504C
5/16"	1/2"	1051008C
3/4"	1/4"	1051204C
3/4"	1/2"	1051208C

NOTE: Swivel is for assembly convenience only, not for live swivel applications.



Barbed Hose Menders

Application

- Industrial air and non-potable water

Specifications

- 150 PSI at 40°F (4°C), 250 PSI at 72°F (22°C)
- Temperature range: -40°F (-40°C) to 160°F (71°C)
- Additional sizes on page 210 of the DPL418 catalog



Hose ID	Hose ID	Brass Part #
½"	¼"	1780804C

Female NPTF x Hose Barb - Lead-Free

Application

- Potable water systems are systems that provide water suitable for human consumption such as drinking, food preparation, and dishwashing

Specifications

- 150 PSI at 40°F (4°C), 250 PSI at 72°F (22°C)
- Temperature range: -40°F (-40°C) to 160°F (71°C)
- Additional sizes on page 212 of the DPL418 catalog



Hose ID	Female NPTF	Lead-Free Brass ¹ Part #
1"	1"	1041616CLF

¹Lead free brass ≤0.25% lead; alloy C27450

Machined Short Shank Hose Couplings - Lead-Free

Application

- Potable water systems are systems that provide water suitable for human consumption such as drinking, food preparation, and dishwashing

Specifications

- 150 PSI
- Temperature range: 33°F (0°C) to 195°F (90°C)
- Additional sizes on pages 201 and 234 of the DPL418 catalog

Male NPSH Couplings



Hose ID	Male NPSH	Lead-Free Brass ¹ Part #
1"	1"	5901616CLF

Female NPSH with Swivel Nut Couplings



Hose ID	Female NPSH with Swivel	Lead-Free Brass ¹ Part #
1"	1"	5911616CLF

¹Lead free brass ≤0.25% lead; alloy C27450

Garden Hose Hex Nut with Knurl - Lead-Free

Application

- Potable water systems are systems that provide water suitable for human consumption such as drinking, food preparation, and dishwashing

Specifications

- 150 PSI
- Temperature range: 33°F (0°C) to 195°F (90°C)
- Additional sizes on page 242 of the DPL418 catalog



Size	Lead-Free Brass ¹ Part #
¾" GHT	5911212NLF
1" NPSH	5911616NLF

¹Lead free brass ≤0.25% lead; alloy C27450

Polyethylene Crimp Bauer Style - Type B

Male

Application

- The primary application for these fittings are irrigation and suction lines

Feature

- Pins sold separately



Size	Galvanized in Centrifugation Part #
4"	MC3094-PC
6"	MC3096-PC
8"	MC3098-PC
12"	MC30912-PC

Female

Application

- The primary application for these fittings are irrigation and suction lines

Features

- Locks on the female size
- Includes gasket



Size	Galvanized in Centrifugation Part #
4"	FC3104-PC
6"	FC3106-PC
8"	FC3108-PC
12"	FC31012-PC

Polyethylene Crimp Bauer Style - Type A

Male

Application

- The primary application for these fittings are irrigation and suction lines

Features

- Pins sold separately
- Locks are on the female size



Size	Galvanized in Centrifugation Part #
12"	MC21112-PC

Female

Application

- The primary application for these fittings are irrigation and suction lines

Feature

- Includes gasket



Size	Galvanized in Centrifugation Part #
12"	FC21212-PC

Polyurethane Air Hose with Strain Relief Fittings

Application

- Metal-working or wood-working operations, in which product shavings or sawdust often make it difficult to view the work surface

Features

- Male NPT
- Kinking with polyurethane resin
- Built-in industrial coupler blow gun
- Works with tool connected or disconnected

Materials

- Air hose: polyurethane
- Blow gun: brass and plated steel



Hose ID	Length	Male NPT	Working Pressure (PSI) @ 70°F (21°C)	Polyurethane Part #
1/4"	25'	1/4"	120	PU1425-CBG

Industrial Coupler Blow Gun

Application

- This convenient unit is perfect for metalworking or woodworking operations, in which product shavings or sawdust often make it difficult to view the work surface

Features

- Already on your hose and ready to use
- Easy push button trigger
- 1/4" ARO with 1/4" female NPT
- Works with tool connected or disconnected

Materials

- Blow gun: brass and plated steel



Female NPT	Part #
1/4"	CBG25

Clamps

Flexible Hose Clamp Driver



Application

- Flexible shaft and no-slip grip provide 90° access and work best in hard-to-reach places such as compact car and boat engines, as well as plumbing repair applications

Features

- Socket fits mini and standard hose clamp screw heads
- Flip the socket for the desired size of 1/4" or 5/16"

Socket Size	Part #
1/4" or 5/16"	FHCD

Assorted Clamps

Features

- Resealable bag of 10 pieces
- Contains:
 - 2 - Micro-Gear® Size 4
 - 1 - Hy-Gear® Size 6
 - 3 - Hy-Gear® Size 12
 - 3 - Hy-Gear® Size 20
 - 1 - Hy-Gear® Size 36



Specification

- Uniform Plumber Code (UPC), certified (1/2" Hy-Gear® clamps)

Hose OD		Stainless Steel Part #
from	to	
1/4"	2 3/4"	MGC-10PC

Hose Clamp Safety Caps

Applications

- Protects installers from cuts and scrapes
- Protects surrounding materials from abrasion and sharp edges
- Provides a clean, professional, and finished look for any application

Features

- Installs quickly and easily
- Push onto the end of a hose clamp



Width	Part #
1/2"	SCAP12-25
1/2"	SCAP12-100
9/16"	SCAP916-25
9/16"	SCAP916-100

KF Flanges and Fittings

Application

- Vacuum sealing for ½" - 2" OD tubing in the semiconductor industry

Sizes

- KF10 - KF50

Features

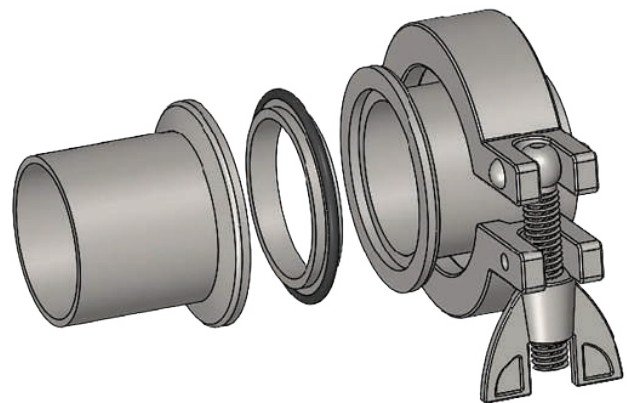
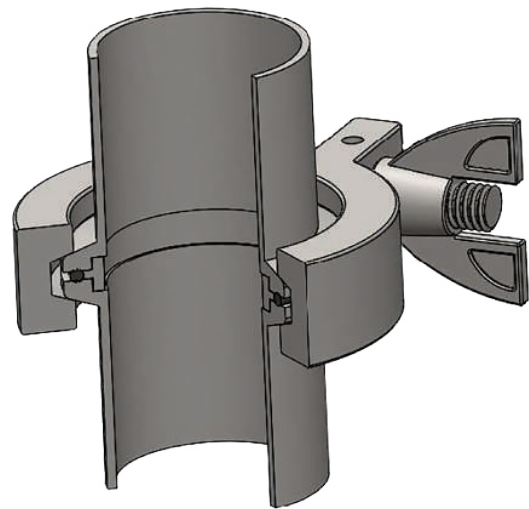
- Each assembly contains two identical flanges and a centering ring assembly and is clamped together with a thumbscrew clamp
- Coupling features prevent O-ring collapse and keep the assembly aligned
- KF flanges are compatible with other ISO-KF-QF vacuum flange manufacturers' components
- All fittings are IPA cleaned and bagged in a controlled environment
- MTRs available: see page 46

Materials

- Fittings: 304 or 316L stainless steel
- Clamps: aluminum
- O-ring: FKM

Specifications

- Maximum temperature: 302°F (150°C)
- Helium leakage testing to 1×10^{-8} Torr
- Standards followed: ISO2681



KF Flanges and Fittings

Part Number Key

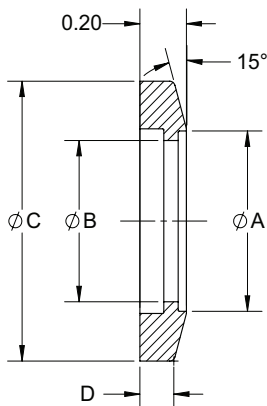
Example: **DVF - A 10 G A**

(KF10, 304 stainless steel bored flange)

Product Line	-	Series	Size	Material	Type
DVF		A - KF B - ISO C - Fitting	10 - KF10 16 - KF16 25 - KF25 40 - KF40 50 - KF50	G - 304 stainless steel R - 316L stainless steel ¹ L - Aluminum (clamp only)	A - KF bored flange
					B - KF blank flange
					C - KF short weld flange
					D - KF long weld flange
					E - KF centering ring assembly
					F - KF overpressure ring
					G - KF flex bellow
					H - KF clamp

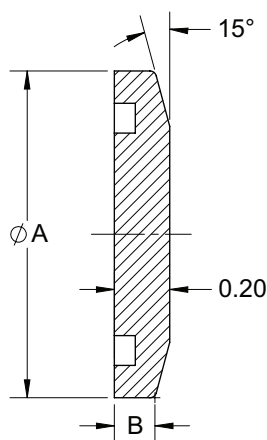
¹Minimum quantity requirements apply.

KF Bored Flange



Flange Size	A	B	C	D	304 Stainless Steel Part #
KF10	0.51"	0.45"	1.18"	0.12"	DVF-A10GA
KF16	0.76"	0.68"	1.18"	0.11"	DVF-A16GA
KF25	1.01"	0.94"	1.58"	0.13"	DVF-A25GA
KF40	1.51"	1.43"	2.17"	0.12"	DVF-A40GA
KF50	2.01"	1.94"	2.95"	0.12"	DVF-A50GA

KF Blank Flange

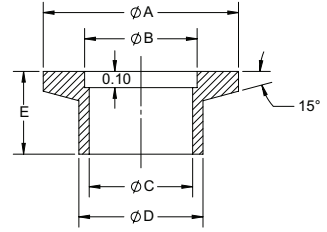


Flange Size	A	B	304 Stainless Steel Part #
KF10	1.18"	0.12"	DVF-A10GB
KF16	1.18"	0.11"	DVF-A16GB
KF25	1.58"	0.13"	DVF-A25GB
KF40	2.17"	0.12"	DVF-A40GB
KF50	2.95"	0.12"	DVF-A50GB

All dimensions are in inches unless indicated otherwise.
Dimensions are approximate and subject to change at any time without notice.

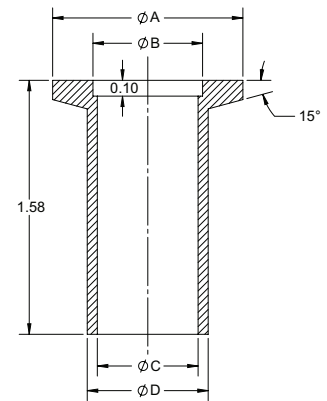
KF Short Weld Flange

Flange Size	A	B	C	D	E	304 Stainless Steel Part #
KF10	1.18"	0.48"	0.37"	0.50"	0.50"	DVF-A10GC
KF16	1.18"	0.67"	0.62"	0.75"	0.50"	DVF-A16GC
KF25	1.58"	1.03"	0.87"	1.00"	0.50"	DVF-A25GC
KF40	2.17"	1.62"	1.37"	1.50"	0.75"	DVF-A40GC
KF50	2.95"	2.05"	1.87"	2.00"	0.75"	DVF-A50GC



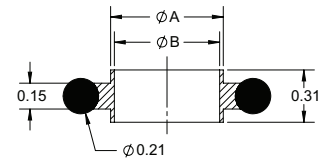
KF Long Weld Flange

Flange Size	A	B	C	D	304 Stainless Steel Part #
KF10	1.18"	0.48"	0.37"	0.50"	DVF-A10GD
KF16	1.18"	0.67"	0.62"	0.75"	DVF-A16GD
KF25	1.58"	1.03"	0.87"	1.00"	DVF-A25GD
KF40	2.17"	1.62"	1.37"	1.50"	DVF-A40GD
KF50	2.95"	2.05"	1.87"	2.00"	DVF-A50GD



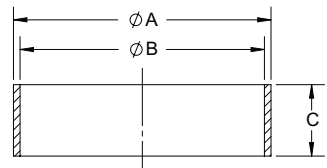
KF Centering Ring Assembly

Flange Size	A	B	304 Stainless Steel with FKM O-ring Part #
KF10	0.48"	0.44"	DVF-A10GE
KF16	0.67"	0.63"	DVF-A16GE
KF25	1.02"	0.98"	DVF-A25GE
KF40	1.61"	1.57"	DVF-A40GE
KF50	2.05"	1.97"	DVF-A50GE



KF Overpressure Ring

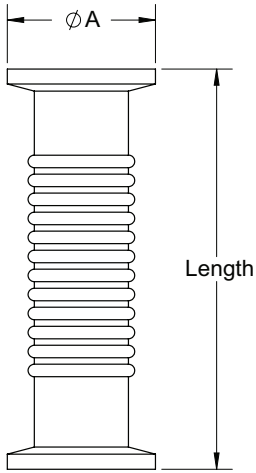
Flange Size	A	B	C	Max PSIG	304 Stainless Steel Part #
KF10	1.25"	1.19"	0.35"	100	DVF-A1016GF
KF16	1.25"	1.19"	0.35"	100	DVF-A1016GF
KF25	1.66"	1.58"	0.35"	100	DVF-A25GF
KF40	2.26"	2.18"	0.35"	75	DVF-A40GF
KF50	2.77"	2.64"	0.15"	50	DVF-A50GF



All dimensions are in inches unless indicated otherwise.
Dimensions are approximate and subject to change at any time without notice.

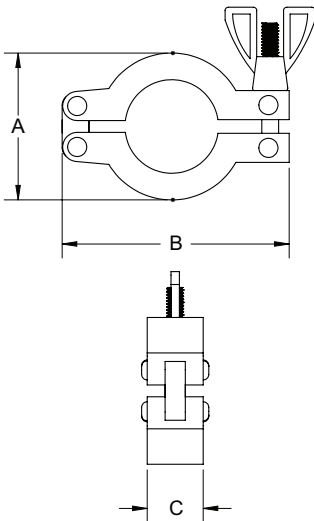
Vacuum Fittings

KF Flex Bellow (Formed)



Flange Size	A	Length	304 Stainless Steel Part #
KF10	1.18"	3.20"	DVF-A10GG
KF16	1.18"	3.20"	DVF-A16GG
KF25	1.58"	4.20"	DVF-A25GG
KF40	2.17"	4.20"	DVF-A40GG
KF50	2.95"	4.20"	DVF-A50GG

KF Clamp



Flange Size	A	B	C	Aluminum Part #
KF10	1.69"	2.39"	0.63"	DVF-A1016LH
KF16	1.69"	2.39"	0.63"	DVF-A1016LH
KF25	2.14"	2.80"	0.63"	DVF-A25LH
KF40	2.75"	3.44"	0.63"	DVF-A40LH
KF50	3.50"	4.25"	0.71"	DVF-A50LH

All dimensions are in inches unless indicated otherwise.
Dimensions are approximate and subject to change at any time without notice.

KF Two-Way Encapsulated Ball Valve

Sizes

- ½" - 2"

Features

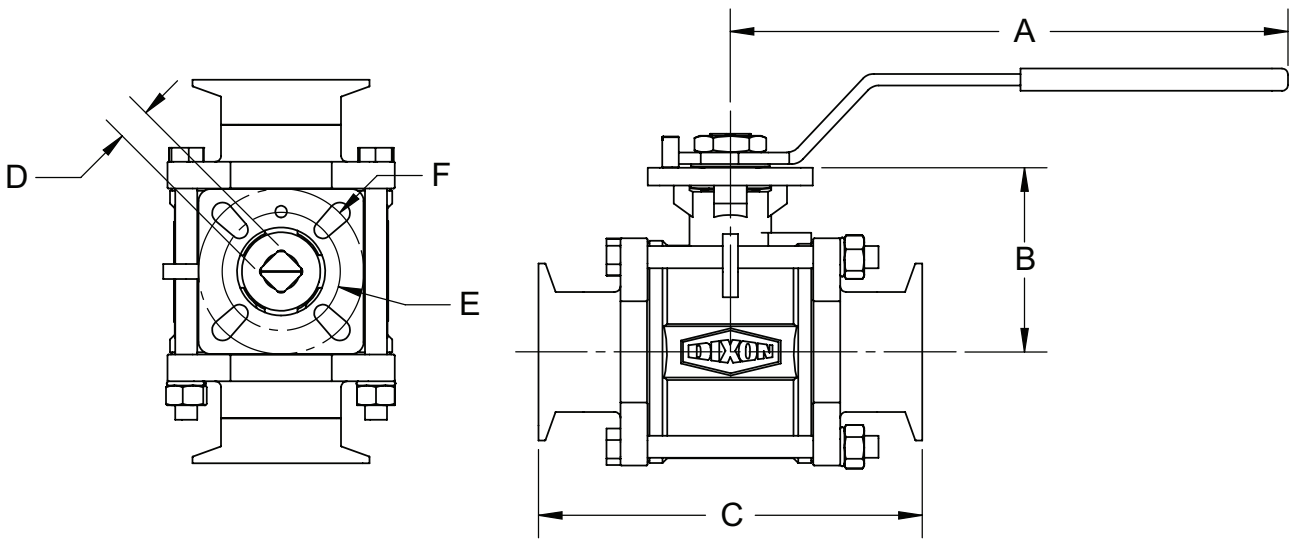
- Live-loaded stem packing
- Blowout-proof stem
- Full port design
- ISO5211 high mounting pad
- Encapsulated seals
- Lockable handle
- Can be actuated
- 100% tested before shipping

Materials

- Body, ends, and ball: CF8M stainless steel
- Seats: virgin PTFE, 15% glass reinforced RTFE, 25% carbon reinforced PTFE, 50% stainless steel reinforced PTFE or UHMW

Specifications

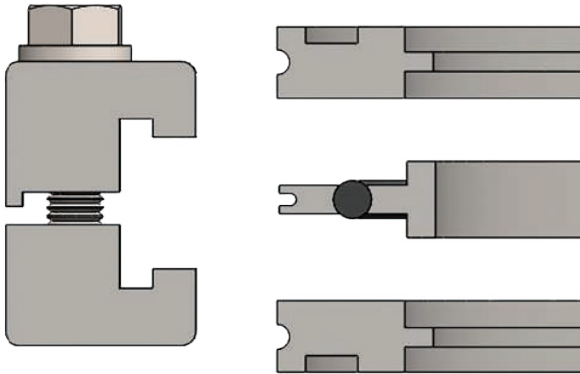
- Maximum pressure rating: **1,000 PSI WOG**
- Helium leakage testing to 1×10^{-8} Torr



Flange Size	A	B	C	D (mm)	E (mm)	F (mm)	Stainless Steel Part #
KF10	4.9"	1.5"	4.3"	9.00	F03	F04	BV2CV-050VV-A
KF16	4.9"	1.8"	4.7"	9.00	F03	F04	BV2CV-075VV-A
KF25	5.4"	2.1"	4.9"	11.00	F04	F05	BV2CV-100VV-A
KF40	9.3"	2.7"	5.6"	14.00	F05	F07	BV2CV-150VV-A
KF50	9.3"	3.1"	6.4"	14.00	F05	F07	BV2CV-200VV-A

All dimensions are in inches unless indicated otherwise.
 Dimensions are approximate and subject to change at any time without notice.

ISO Flanges and Fittings



Application

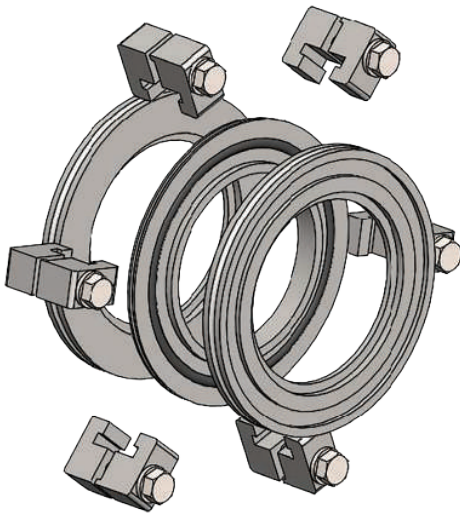
- Vacuum sealing for 2½" - 10" OD tubing in the semiconductor industry

Sizes

- ISO63 - ISO250

Features

- Each assembly contains two identical flanges and a centering ring assembly and is joined together by clamps
- Centering ring keeps the flanges in line and prevents the O-ring from being pushed in by atmospheric pressure
- Multiple clamps must be used to ensure a sturdy connection
- ISO fittings are compatible with other manufacturers' ISO-KF-QF vacuum flanges
- All fittings are IPA cleaned and bagged in a controlled environment
- MTRs available: see page 46

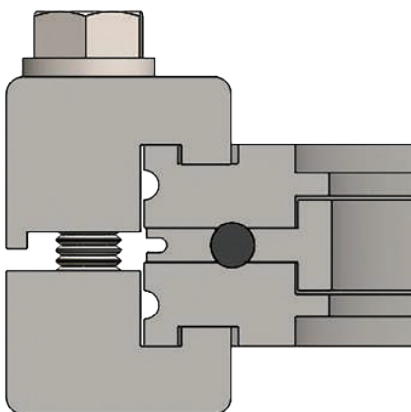


Materials

- Fittings: 304 or 316L stainless steel
- Clamps: aluminum
- O-ring: FKM

Specifications

- Maximum temperature: **302°F (150°C)**
- Helium leakage testing to 1×10^{-8} Torr
- Standards followed: ISO2681



ISO Flanges and Fittings

Part Number Breakdown
Example: DVF - B 63 G A

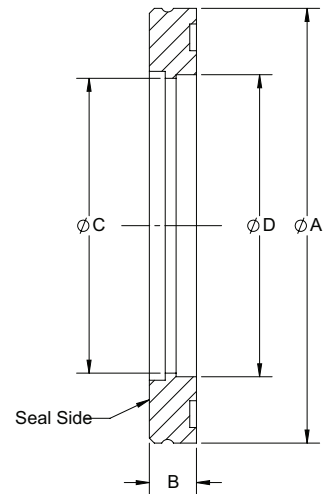
(ISO63, 304 stainless steel bored flange)

Product Line	-	Series	Size	Material	Type
DVF		A - KF B - ISO C - Fitting	63 - ISO63 80 - ISO80 100 - ISO100 160 - ISO160 200 - ISO200 250 - ISO250	G - 304 stainless steel R - 316L stainless steel ¹ L - Aluminum (clamp only)	A - ISO bored flange B - ISO blank flange E - ISO centering ring assembly G - ISO flexible bellow H - ISO double claw clamp

¹Minimum quantity requirements apply.

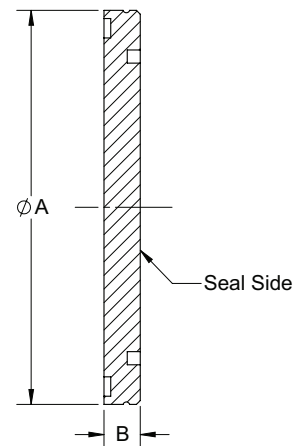
ISO Bored Flange

Flange Size	A	B	C	D	304 Stainless Steel Part #
ISO63	3.74"	0.47"	2.44"	2.51"	DVF-B63GA
ISO80	4.33"	0.47"	2.94"	3.01"	DVF-B80GA
ISO100	5.12"	0.47"	3.91"	4.02"	DVF-B100GA
ISO160	7.09"	0.47"	5.87"	6.03"	DVF-B160GA
ISO200	9.45"	0.47"	7.87"	8.03"	DVF-B200GA
ISO250	11.42"	0.47"	9.88"	10.02"	DVF-B250GA



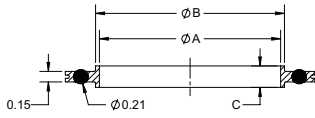
ISO Blank Flange

Flange Size	A	B	304 Stainless Steel Part #
ISO63	3.74"	0.47"	DVF-B63GB
ISO80	4.33"	0.47"	DVF-B80GB
ISO100	5.12"	0.47"	DVF-B100GB
ISO160	7.09"	0.47"	DVF-B160GB
ISO200	9.45"	0.47"	DVF-B200GB
ISO250	11.42"	0.47"	DVF-B250GB



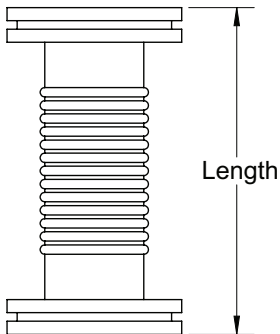
All dimensions are in inches unless indicated otherwise.
 Dimensions are approximate and subject to change at any time without notice.

ISO Centering Ring Assembly



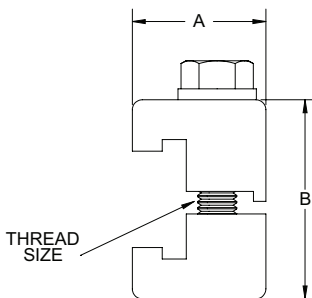
Flange Size	A	B	C	304 Stainless Steel Centering Ring FKM O-ring Aluminum Spacer Ring Part #
ISO63	2.63"	2.74"	0.31"	DVF-B63GE
ISO80	3.14"	3.25"	0.31"	DVF-B80GE
ISO100	3.89"	4.00"	0.31"	DVF-B100GE
ISO160	5.90"	6.01"	0.31"	DVF-B160GE
ISO200	8.26"	8.37"	0.31"	DVF-B200GE

ISO Flexible Bellow (Formed)



Flange Size	Length	Compressed Length	304 Stainless Steel Part #
ISO63	7.00"	6.00"	DVF-B63GG
ISO80	7.00"	6.00"	DVF-B80GG
ISO100	7.00"	6.00"	DVF-B100GG
ISO160	7.00"	6.00"	DVF-B160GG
ISO200	7.00"	6.00"	DVF-B200GG
ISO250	13.50"	10.50"	DVF-B250GG

ISO Double Claw Clamp



Flange Size	A	B	Thread Size	Qty. of Clamps Required	Aluminum Part #
ISO63	0.94"	1.96"	5/16-18"	3 - 4	DVF-B63100LH
ISO80	0.94"	1.96"	5/16-18"	4 - 8	DVF-B63100LH
ISO100	0.94"	1.96"	5/16-18"	4 - 8	DVF-B63100LH
ISO160	1.10"	1.96"	5/16-18"	4 - 8	DVF-B160250LH
ISO200	1.10"	1.96"	5/16-18"	6 - 12	DVF-B160250LH
ISO250	1.10"	1.96"	5/16-18"	6 - 12	DVF-B160250LH

NOTE: ISO clamps are sold in multiples of 4.

All dimensions are in inches unless indicated otherwise.
Dimensions are approximate and subject to change at any time without notice.

Vacuum Weld Fittings

Each part is crafted with precision to ensure a leak-free fit. All fittings are IPA cleaned and bagged in a controlled environment.

Applications

- Vacuum sealing weld fittings used in the semiconductor industry

Sizes

- ½" - 6"

Feature

- MTRs available; see page 46

Materials

- Fittings: 304 or 316L stainless steel

Specifications

- Helium leakage testing to 1x10⁻⁸ Torr
- Maximum temperature: **302°F (150°C)**
- Standards followed: ASTM A270, ASTM A269, and ASME SA270



Part Number Key

Example: DVF - C 050 G 1 Q

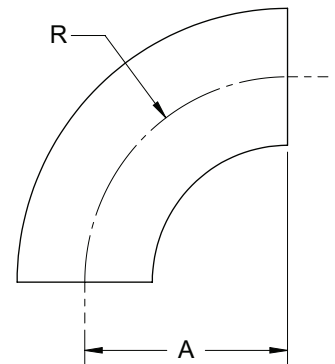
(½" 90° elbow, polished weld fitting, 304 stainless steel)

Product Line	-	Series	Size	Material	Finish	Type
DVF		A - KF B - ISO C - Fitting	050 - ½"	G - 304 stainless steel R - 316L stainless steel ¹	1 - polished 2 - bead blast ¹	Q - 90° elbow R - 90° elbow with tangents S - 45° elbow T - 45° elbow with tangents U - concentric reducer V - tee W - reducing tee
			075 - ¾"			
			100 - 1"			
			150 - 1½"			
			200 - 2"			
			250 - 2½"			
			300 - 3"			
			400 - 4"			
			600 - 6"			

¹Minimum quantity requirements apply.

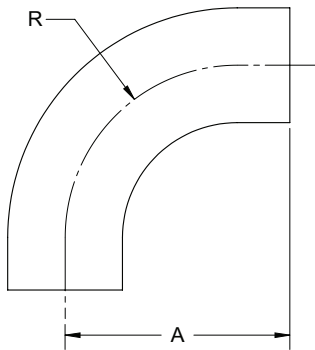
Weld 90° Elbow

OD	A	R	304 Stainless Steel Part #
½"	0.75"	0.75"	DVF-C050G1Q
¾"	1.00"	1.00"	DVF-C075G1Q
1"	1.50"	1.50"	DVF-C100G1Q
1½"	2.25"	2.25"	DVF-C150G1Q
2"	3.00"	3.00"	DVF-C200G1Q
2½"	3.75"	3.75"	DVF-C250G1Q
3"	4.50"	4.50"	DVF-C300G1Q
4"	6.00"	6.00"	DVF-C400G1Q
6"	9.00"	9.00"	DVF-C600G1Q



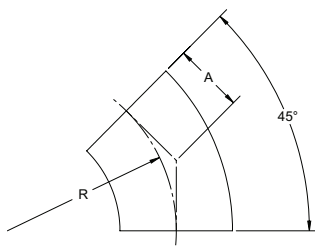
All dimensions are in inches unless indicated otherwise. Dimensions are approximate and subject to change at any time without notice.

Weld 90° Elbow with Tangents



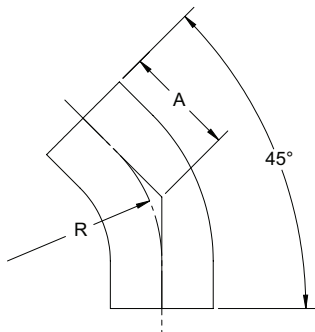
OD	A	R	304 Stainless Steel Part #
3/4"	1.42"	1.00"	DVF-C075G1R
1"	1.82"	1.50"	DVF-C100G1R
1 1/2"	2.94"	2.25"	DVF-C150G1R
2"	4.06"	3.00"	DVF-C200G1R
2 1/2"	5.19"	3.75"	DVF-C250G1R
3"	6.31"	4.50"	DVF-C300G1R
4"	8.31"	6.00"	DVF-C400G1R
6"	11.50"	9.00"	DVF-C600G1R

Weld 45° Elbow



OD	A	R	304 Stainless Steel Part #
1/2"	0.31"	0.75"	DVF-C050G1S
3/4"	0.41"	1.00"	DVF-C075G1S
1"	0.62"	1.50"	DVF-C100G1S
1 1/2"	0.93"	2.25"	DVF-C150G1S
2"	1.25"	3.00"	DVF-C200G1S
2 1/2"	1.53"	3.75"	DVF-C250G1S
3"	1.84"	4.50"	DVF-C300G1S
4"	2.50"	6.00"	DVF-C400G1S
6"	3.73"	9.00"	DVF-C600G1S

Weld 45° Elbow with Tangents

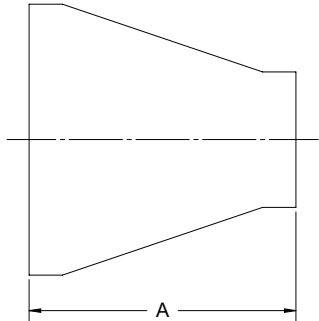


OD	A	R	304 Stainless Steel Part #
3/4"	0.76"	1.00"	DVF-C075G1T
1"	1.19"	1.50"	DVF-C100G1T
1 1/2"	1.63"	2.25"	DVF-C150G1T
2"	2.31"	3.00"	DVF-C200G1T
2 1/2"	3.00"	3.75"	DVF-C250G1T
3"	3.68"	4.50"	DVF-C300G1T
4"	4.81"	6.00"	DVF-C400G1T
6"	7.33"	9.00"	DVF-C600G1T

All dimensions are in inches unless indicated otherwise.
 Dimensions are approximate and subject to change at any time without notice.

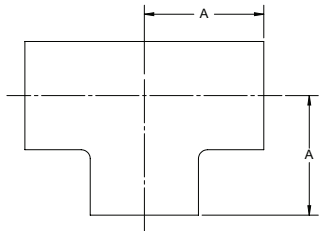
Concentric Reducer with Tangents

OD	A	304 Stainless Steel Part #
1" x ¾"	1.38"	DVF-C100075G1U
1½" x ¾"	2.38"	DVF-C150075G1U
1½" x 1"	2.38"	DVF-C150100G1U
2" x 1"	2.38"	DVF-C200100G1U
2" x 1½"	2.38"	DVF-C200150G1U
2½" x 1½"	2.38"	DVF-C250150G1U
2½" x 2"	2.38"	DVF-C250200G1U
3" x 1½"	3.63"	DVF-C300150G1U
3" x 2"	3.63"	DVF-C300200G1U
3" x 2½"	3.63"	DVF-C300250G1U
4" x 2"	3.63"	DVF-C400200G1U
4" x 2½"	3.63"	DVF-C400250G1U
4" x 3"	3.63"	DVF-C400300G1U



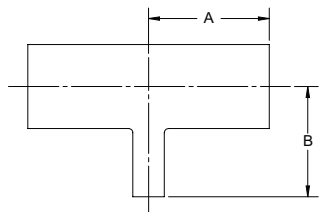
Weld Tee

OD	A	304 Stainless Steel Part #
½"	0.75"	DVF-C050G1V
¾"	1.00"	DVF-C075G1V
1"	1.88"	DVF-C100G1V
1½"	2.25"	DVF-C150G1V
2"	3.00"	DVF-C200G1V
2½"	3.00"	DVF-C250G1V
3"	3.25"	DVF-C300G1V
4"	3.88"	DVF-C400G1V
6"	5.00"	DVF-C600G1V



Weld Reducing Tee

OD	A	B	304 Stainless Steel Part #
1" x ¾"	1.88"	2.13"	DVF-C100075G1W
1½" x ¾"	2.25"	2.25"	DVF-C150075G1W
1½" x 1"	2.25"	2.38"	DVF-C150100G1W
2" x 1"	3.00"	2.38"	DVF-C200100G1W
2" x 1½"	3.00"	2.38"	DVF-C200150G1W
2½" x 1½"	3.00"	2.50"	DVF-C250150G1W
2½" x 2"	3.00"	2.75"	DVF-C250200G1W
3" x 1½"	3.25"	3.25"	DVF-C300150G1W
3" x 2"	3.25"	3.00"	DVF-C300200G1W
3" x 2½"	3.25"	3.25"	DVF-C300250G1W
4" x 1½"	3.88"	3.50"	DVF-C400150G1W
4" x 2"	3.88"	4.00"	DVF-C400200G1W
4" x 2½"	3.88"	3.75"	DVF-C400250G1W
4" x 3"	3.88"	3.75"	DVF-C400300G1W
6" x 3"	5.00"	4.75"	DVF-C600300G1W
6" x 4"	5.00"	4.88"	DVF-C600400G1W



All dimensions are in inches unless indicated otherwise.
 Dimensions are approximate and subject to change at any time without notice.

MTR - Material Test Reports

An MTR is a report that contains information about the raw materials, chemical properties, and mechanical properties of a part. Dixon Sanitary provides material test reports for vacuum fittings.

Each MTR will contain:

- Part number and part description
- Material and material standards
- Heat number
- Chemical properties
- Mechanical properties
- Job number

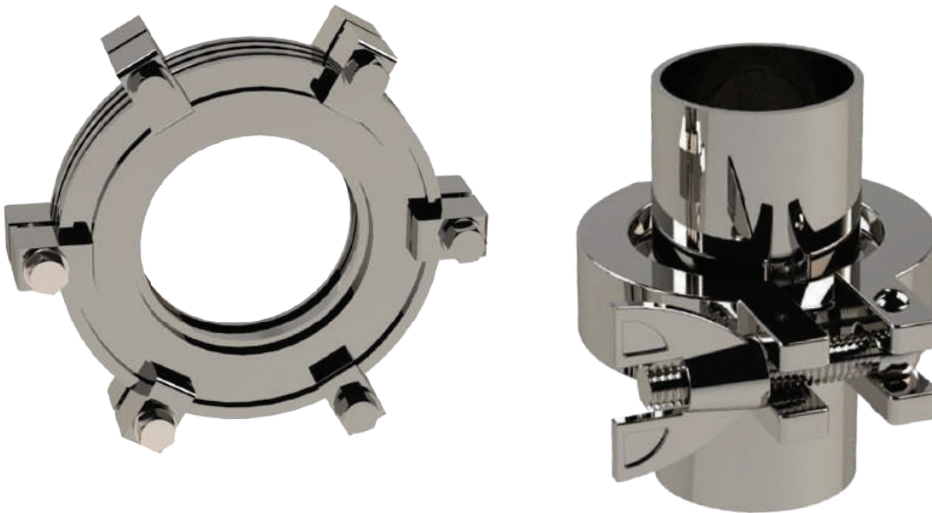


To retrieve an MTR by QR code:

1. Scan the QR code on the product packaging
2. Enter the job number (found on the products packaging bag)
3. Review the MTR

To retrieve an MTR at [dixonvalve.com](https://www.dixonvalve.com):

1. Go to [dixonvalve.com/knowledge-center/interactive-tools/mtr](https://www.dixonvalve.com/knowledge-center/interactive-tools/mtr)
2. Enter the job number (found on the products packaging bag)
3. Review the MTR



DX60 Series Hygienic Tanker Valve



Applications

- Used on food-grade stainless steel bulk transport trailers to safely and hygienically load and unload various products including milk, juices, chocolate, glycerin, and many types of food-grade oils

Size

- 3"

Features

- Valve housing machined from solid bar
- Hygienic single-acting wiper seal improves cleanability and durability
- Easy-lock plunger for locking valve in open position
- Patent-pending closure system to eliminate the pinch point
- Bonnet design uses standard sanitary clamp for easy removal

Materials

- Valve: 304 stainless steel
- Seals: FKM or Buna
- Cover: aluminum

Specifications

- Holding pressure: 75 PSI
- Surface ID finish: $32R_a$
- Connections: flange x male threaded bevel
- Temperature range: -20°F to 212°F (-28.9°C to 100°C)

Approvals

- 3A- Authorization Number 1655, 53-06 (Compression-Type Valves) for CIP and COP



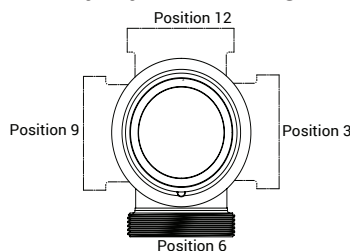
Size	Seal	Part #
3"	FKM	DX603010A1GV1

Part Number Key Example: DX60 30 10 A 1 G V 1

All part numbers for DX60 series begin with "DX60"

Valve Size	Valve Body Style	Surface Finish	Connections	Stainless Steel Wetted Parts	Seal Material	Valve Cover	Options					
3"	30 (2-port shut-off) position 6	32R _a (ID mechanical polish) A	Flange (to trailer) x male threaded bevel	304	FKM	Aluminum	None					
3" at position 6 / 2" at positions 3, 9, or 12	32 (3-port shut-off) positions 6 and 3							1	G	V	1	Blank
3" at position 6 / 2½" at positions 3, 9, or 12	35 (3-port shut-off) positions 6 and 9							2	316L (optional)	Buna (optional)	No cover	2
	40 (3-port shut-off) positions 6 and 12	R	B	R								

Valve Body Style Port Configurations



Sanitary/Hygienic Fittings

HSG Hygienic Sight Glass



Single Pin Clamp



Bolted Clamp

Applications

- Used widely in the food, dairy, and beverage sanitary processes to view products and fluids
- Can be used in industrial applications when you want to CIP and require 316L stainless steel construction

Sizes

- ½" to 6"
- single pin clamp: 1" to 6"; EPDM or FKM gasket
- bolted clamp: ½" to 6"; PTFE gasket



Features

- 3A CIP certified
- Higher pressure range than other sight glasses
- Easy assembly and disassembly
- Rubber seals are I-line gaskets
- Clamp protects glass from getting damaged
- Patent-pending assembly design

Materials

- Body: 316L stainless steel
- Sight glass: polycarbonate
- Gaskets: PTFE, EPDM, or FKM

Tube OD	PSI @ 70°F (21°C)	PSI @ 200°F (94°C)	316L Stainless Steel EPDM Seal Part #	316L Stainless Steel FKM Seal Part #	316L Stainless Steel PTFE Seal Part #
½"	500	300	---	---	HSGP050CCA
¾"	500	300	---	---	HSGP075CCA
1"	500	300	HSGE100CCA	HSGV100CCA	HSGP100CCA
1½"	450	250	HSGE150CCA	HSGV150CCA	HSGP150CCA
2"	400	200	HSGE200CCA	HSGV200CCA	HSGP200CCA
2½"	350	175	HSGE250CCA	HSGV250CCA	HSGP250CCA
3"	250	125	HSGE300CCA	HSGV300CCA	HSGP300CCA
4"	80	40	HSGE400CCA	HSGV400CCA	HSGP400CCA
6"	50	25	HSGE600CCA	HSGV600CCA	HSGP600CCA

Seal Kits

Tube OD	EPDM Seal Kit Part #	FKM Seal Kit Part #	PTFE Seal Kit Part #
½"	---	---	HSG-RKP050
¾"	---	---	HSG-RKP075
1"	HSG-RKE100	HSG-RKV100	HSG-RKP100
1½"	HSG-RKE150	HSG-RKV150	HSG-RKP150
2"	HSG-RKE200	HSG-RKV200	HSG-RKP200
2½"	HSG-RKE250	HSG-RKV250	HSG-RKP250
3"	HSG-RKE300	HSG-RKV300	HSG-RKP300
4"	HSG-RKE400	HSG-RKV400	HSG-RKP400
6"	HSG-RKE600	HSG-RKV600	HSG-RKP600

Replacement Polycarbonate Sight Glass

Tube OD	Part #
½"	HSG-POLY-050
¾"	HSG-POLY-075
1"	HSG-POLY-100
1½"	HSG-POLY-150
2"	HSG-POLY-200
2½"	HSG-POLY-250
3"	HSG-POLY-300
4"	HSG-POLY-400
6"	HSG-POLY-600

Single Pin Heavy Duty

Service pressure ratings are based on the following parameters: matching elastomer gaskets and weld ferrules properly aligned and assembled with the clamps tightened to the required torque (25 in-lbs). Tests are done hydrostatically with no water hammer or shock loads. *All ratings shown are dependent upon related components within the system and proper installation.*



Dimensions are approximate. Engineering dimensions are available upon request. Specifications are subject to change without notice.

Tube OD	Service Pressure PSI Rating @ 70°F (21°C) ¹	Service Pressure PSI Rating @ 250°F (121°C) ¹	Dimension A	Stainless Steel Part #
½" - ¾"	1,500	1,200	1.062"	13MHHM50-75WNH
1" - 1½"	500	300	2.122"	13MHHM100150WNH
2"	450	250	2.654"	13MHHM200WNH
2½"	400	200	3.185"	13MHHM250WNH
3"	350	175	3.717"	13MHHM300WNH
4"	300	150	4.820"	13MHHM400WNH
5"	225	100	5.820"	13MHHM500WNH
6"	150	75	6.695"	13MHHM600WNH
8"	100	50	8.695"	13MHHM800WNH



¹Wing nut tightened to 25 in-lb of torque

SJSS Series Sanitary Swivels



Application

- Process lines that need flexibility to prevent hoses from kinking or making a flow path change on a flow plate

Sizes

- 1" - 4"

Features

- New and improved design
- Available in clamp and weld configurations in styles 20-70

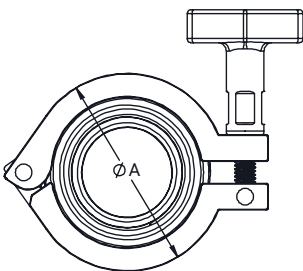
Materials

- Body: 316L stainless steel
- Elastomers: silicone or EPDM

Approval

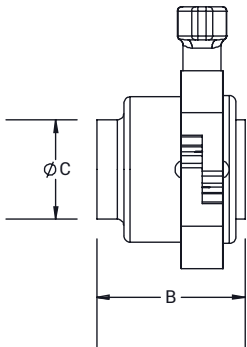
- 3A certified COP

Straight clamp - style 20



Size	Dimensions			Pressure Rating PSI @ 70°F (21°C)	Pressure Rating PSI @ 250°F (121°C)	316L Stainless Steel Part #
	A	B	C			
1"	2.42"	3.86"	1.00"	500	300	SJSS100*CC120
1½"	2.99"	3.87"	1.50"	500	300	SJSS150*CC120
2"	3.48"	3.84"	2.00"	450	250	SJSS200*CC120
2½"	3.98"	3.84"	2.50"	400	200	SJSS250*CC120
3"	5.08"	3.84"	3.00"	350	175	SJSS300*CC120
4"	7.03"	4.97"	4.00"	300	150	SJSS400*CC120

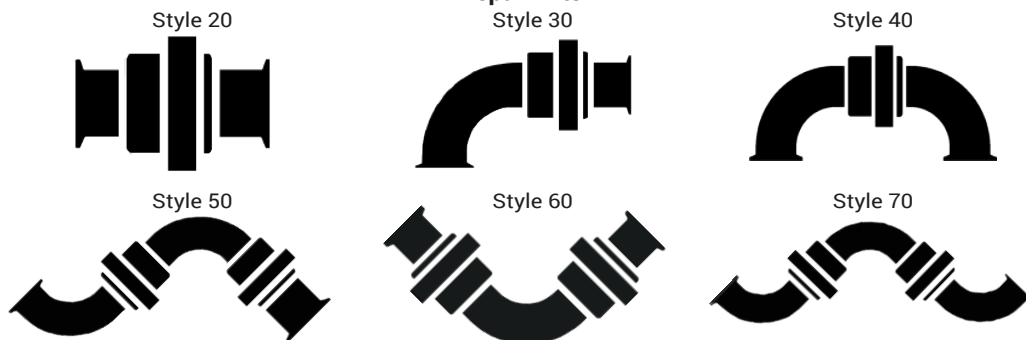
Straight weld connection - style 20



Size	Dimensions			Pressure Rating PSI @ 70°F (21°C)	Pressure Rating PSI @ 250°F (121°C)	316L Stainless Steel Part #
	A	B	C			
1"	2.42"	2.24"	1.00"	500	300	SJSS100*BB120
1½"	2.99"	2.24"	1.50"	500	300	SJSS150*BB120
2"	3.48"	2.22"	2.00"	450	250	SJSS200*BB120
2½"	3.98"	2.22"	2.50"	400	200	SJSS250*BB120
3"	5.08"	2.21"	3.00"	350	175	SJSS300*BB120
4"	7.03"	3.22"	4.00"	300	150	SJSS400*BB120

* S=Silicone
E=EPDM

Repair Kits

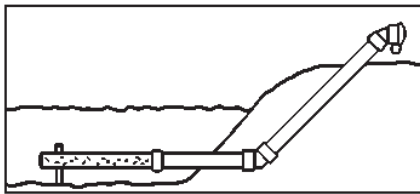


Size	Contains	Silicone Part #	EPDM Part #
1"	(1x) Inner Body Gasket (1x) Outer Body Gasket (1x) Upper Body Seat (1x) Lower Body Washer	SJSS-REPAR-S100	SJSS-REPAR-E100
1½"		SJSS-REPAR-S150	SJSS-REPAR-E150
2"		SJSS-REPAR-S200	SJSS-REPAR-E200
2½"		SJSS-REPAR-S250	SJSS-REPAR-E250
3"		SJSS-REPAR-S300	SJSS-REPAR-E300
4"		SJSS-REPAR-S400	SJSS-REPAR-E400

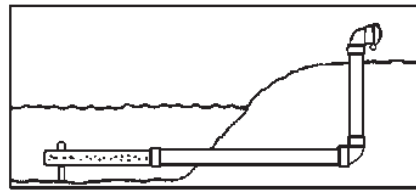
The swivels above will be replacing the swivels on page 619 of the DPL418 catalog.

Dry Hydrants

Typical Dry Hydrant Installations



45°
(preferred)



90°

Underwater Strainer Supports

Description	Part #
underwater strainer support	DHSSC6



Back Flushing Strainers

Feature

- Length: 37"

Size	Schedule 40 PVC Part #
6"	DHS6BF
8"	DHS8BF ¹



¹Includes 8" x 6" reducer

Male Adapters and Caps

90° Male Adapters

45° Male Adapters

Male NST (NH)	Hardcoated Part #	Hardcoated Part #
4½"	ADH90M45F	ADH45M45F
6"	ADH90M60F	ADH45M60F



adapters and caps sold separately

Rocker Lug Caps with Cable

Female NST (NH)	Hardcoated Part #
4½"	ADHC450F
6"	ADHC600F

Female Adapters and Plugs

90° Female Adapters

45° Female Adapters

Female NST (NH)	Hardcoated Part #	Hardcoated Part #
4½"	ADH90F45F	ADH45F45F
6"	ADH90F60F	ADH45F60F



adapters and plugs sold separately

Rocker Lug Plugs with Cable

Male NST (NH)	Hardcoated Part #
4½"	ADHP450F
6"	ADHP600F

Bumpered Fog Nozzles



BBN75

Features

- Straight stream, capable of greater than 100° spray angle
- Twist shut-off and flow-type change

Specification

- Maximum working pressure: **100 PSI**; maximum rated pressure: **175 PSI**

Approvals

- FM Approved for class A and B fires
- UL certified for class A and B fires

Size	Thread	Rated Flow at Rated Pressure (GPM)	Rated Flow at Wide Open: GPM @ 100 PSI	Approvals			Brass Part #
				FM	UL	ULC	
¾"	GHT	54	54	✓	✓	✓	BBN75GHT
¾"	NPSH	54	54	✓	✓	✓	BBN75
1"	NPSH	60	60	✓	✓	✓	BBN100
1"	NST	60	60	✓	✓	✓	BBN100NST

Global Approved Brass Fog Nozzles



Applications

- Industrial
- Rack and reel assemblies

Feature

- Straight stream, fog, shut-off

Specification

- Maximum working pressure: **150 PSI** (water only)

Approvals

- FM Approved
- UL certified, ULC Listed

Size	Thread	Brass Part #
1½"	NPSH	GBN150
1½"	NST	GBN150NST
2½"	NST	GBN250NST

Carbon Steel Hose Reels

Sizes

- Inlet: brass 1 1/2" MNPT 90° swivel
- Outlet: brass 1 1/2" MNST gooseneck

Features

- Friction brake
- Left hand inlet
- Red hose reel cover (hose not included)
- Natural, galvanized finish or red powder coated
- Made in USA

Materials

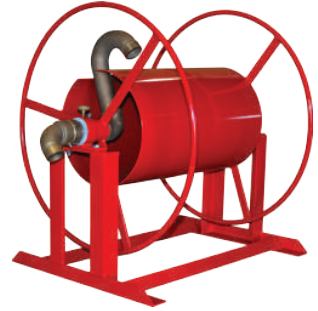
- Reel and frame: heavy-duty welded carbon steel
- Reel and frame: hot dipped galvanized
- Waterway: brass and stainless steel
- Hardware: 316L stainless steel
- Bearings: greaseless polyethylene

Specification

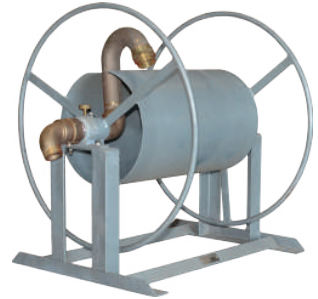
- Maximum working water pressure: **200 PSI**

Options

- 24" stand
- Inlet: brass 1 1/2" FNPT straight swivel inlet
- Manual rewind hand crank (stainless steel with polyethylene handle)
- Right hand inlet
- Hose roller assembly (aluminum or stainless steel brackets)
- 1 1/2" non-collapsible UVX hose (up to 150')
- Custom colors available; contact Dixon



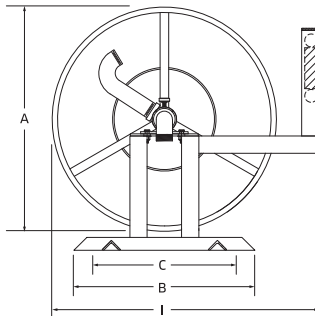
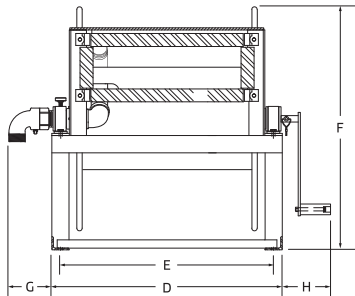
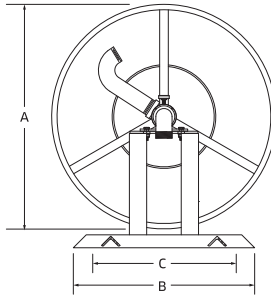
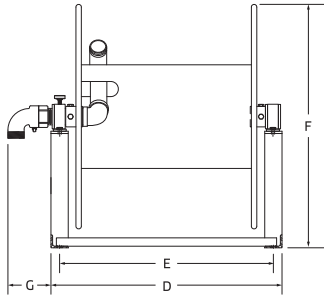
HD150-100PCR



HD150-100G



HD150-100PCRACC



Hose Capacity			Dimensions								
3/4"	1"	1 1/2"	A	B	C	D	E	F	G	H	I
0-250'	0-200'	0-150'	26"	21"	17"	26 3/4"	24 3/4"	28 3/16"	5"	5 9/16"	31"

Description	Part #
standard features, galvanized finish	HDR150-100G
hose roller assembly (aluminum), hand crank, galvanized finish	HDR150-100GACC
standard features, galvanized and powder coated (red) finish	HDR150-100PCR
hose roller assembly (aluminum), hand crank, galvanized and powder coated (red) finish	HDR150-100PCRACC

Reversible Concealed Angle Siamese Body



4" X 2½"
(unpolished finish)



6" X 3"
(unpolished finish)



6" X 3"
(polished finish)

Application

- Stainless steel FDC provides water up to 90 stories without auxiliary pumping systems

Sizes

- Bodies: 4" and 6"
- Snoots: 2½" x 2½" and 2½" x 3"

Features

- Uniquely designed clappers are fully reversible with perpendicular trunnion, allowing one body to be installed for top or bottom connections
- Concealed unit mounts behind a wall plate; escutcheon sold separately for exposed installation

Materials

- Body: 316 stainless steel
- Shutters: 4" x 2½": brass
6" x 3": 316 stainless steel
- Snoots: 316 stainless steel
- Pivot pins: brass on concealed units, stainless steel on exposed units

Specifications

- 4" x 2½" maximum working pressure: **500 PSI**
- 6" x 3" maximum working pressure: **600 PSI**

Approvals

- 4" x 2½" is FM Approved
- 6" x 3" is FM and New York Fire Department approved

Inlet	(2) Outlets	Description	Stainless Steel Part #
4" NPT	2½" NPT	concealed angle body	4025REV90SS
6" grooved	3" NPT	concealed straight body	DCS6030GSS
6" NPT	3" NPT	concealed or exposed angle body	90CREV6030SS
		concealed or exposed angle body polished	90CREV6030SS-P
		reversible fire department connection assembly for concealed or exposed installation with proper identification plate	90CREV6030SSPAT

Open Snoots



2½" x 3" male
(polished satin finish)



3" x 3" male
(polished satin finish)

Swivel	NPT Thread	Stainless Steel Female Part #	Stainless Steel Male Part #
2½" NST (NH)	2½"	SF250FSS	SM250FSS
2½" NST (NH)	3"	SF2530FSS	SM2530FSS
3" NST (NH)	3"	SF300FSS	SM300FSS
3" NYFD	3"	SF300NYFDSS	SM300NYFDSS

Steam and Cold Water Mixing Station

Application

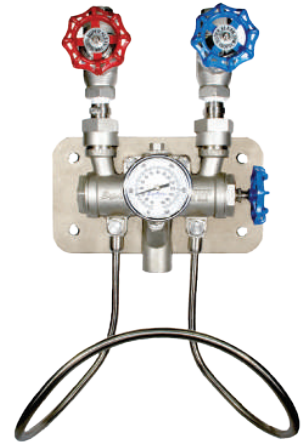
- Front line mixing unit

Features

- New innovative design that provides secondary outlet for piping
- Unit is convenient and safe and allows easy maintenance
- Operates with as little as **30 PSI**
- Control valves (globe style)
- ¾" inlet and outlet
- Temperature gauge (optional, stainless steel)
- Stainless steel mixer body, check valves, and hose rack
- Mounting plate and hardware for wall mounting

Specifications

- Maximum operating pressure: **150 PSI**
- Maximum temperature: **200°F (93°C)**



304 Stainless Steel Part #

SWDS-SS

Hot and Cold Water Mixing Station

Features

- Control valves (globe style)
- ¾" inlet and outlet
- Temperature gauge (optional, stainless steel)
- Stainless steel hose rack
- Mounting plate and hardware for wall mounting

Specifications

- Maximum operating pressure: **150 PSI**
- Maximum temperature: **200°F (93°C)**



304 Stainless Steel Part #

WDS1-SS

Hot or Cold Water Mixing Station

Features

- Control valves (globe style)
- ¾" inlet and outlet
- Temperature gauge (optional, stainless steel)
- Stainless steel hose rack
- Mounting plate and hardware for wall mounting

Specifications

- Maximum operating pressure: **150 PSI**
- Maximum temperature: **200°F (93°C)**



304 Stainless Steel Part #

WDS0-SS

Diesel and Gasoline Nozzle Accessories

Materials

- Body: aluminum
- Brass hex nut prevents galling in the nozzle
- Seals: F-7036 Viton®
- Retainer: nylon cord



Size	Description	Part #
1 ½" x 1 ½"	single plane hose swivel (male adapter x male NPT)	DAWSCL15
2" x 2"		DAWSCL2

Disposable In-Line Nipple Filters

Features

- For filtration of water, oil, and air
- Compact and lightweight
- Can be installed at point of use
- Shape element is conical rather than disc, providing a larger filtering flow and a true, uninterrupted axial flow
- Standard 40 micron element ensures minimum pressure drop

Specifications

- Maximum operating pressure: **300 PSI**
- Temperature range: **35°F to 300°F (2°C to 148°C)**



Male NPT	Overall Length	Hex	Air Flow	Brass Part #
1/8"	1 1/4"	7/16"	10 SCFM	ASP3101-40
1/4"	1 1/2"	9/16"	20 SCFM	ASP3102-40
3/8"	1 3/4"	11/16"	30 SCFM	ASP3103-40
1/2"	2"	7/8"	50 SCFM	ASP3104-40
1/8"	1 1/4"	7/16"	10 SCFM	ASP3101-90
1/4"	1 1/2"	9/16"	20 SCFM	ASP3102-90
3/8"	1 3/4"	11/16"	30 SCFM	ASP3103-90
1/2"	2"	7/8"	50 SCFM	ASP3104-90

Super Quiet Flow Economy Pneumatic Silencers - Mufflers

Features

- Design incorporates a 50 mesh, self-cleaning, stainless steel screen in a strong, protective glass-filled nylon housing which is ultrasonically welded for maximum strength

Specifications

- Maximum operating pressure: **150 PSI**
- Temperature range: **35°F (2°C) to 120°F (48°C)**



Male NPT	Length	Diameter	Part #
1/8"	2-7/64"	13/16"	SQF-1
1/4"	2-15/64"	13/16"	SQF-2
3/8"	3-27/64"	1 1/4"	SQF-3
1/2"	3-35/64"	1 1/4"	SQF-4

Mini In-Line Disposable Desiccant Dryer

Application

- Ideal for spray guns (point-of-use), attaches directly to spray gun or mini regulator located on spray gun

Features

- Unit is bi-directional 1/4" NPT
- Blue desiccant beads lower the dew point to **-40°F (-40°C)** and remove water vapor; bead color turns pink when it is time to replace filter/dryer
- 40 micron, porous bronze element removes fine dirt particles, as oil removing media removes oil vapor and desiccant bead absorbs water vapor

Specification

- Working pressure: **125 PSI**



Male NPT	Female NPT	Flow (SCFM)	Description	Part #
1/4"	1/4"	15	package of 2	DFD-10

HT-Series Correct Connect®



Correct Connect® shown on HT-Series couplers and plugs.

Challenges

- Time wasted identifying proper hose routing
- Equipment damage due to incorrect connections
- Product cross-contamination

Solution

- HT-Series Correct Connect® color bands
- Easily identify seals, materials, or sizes for application
- Helps with preventative maintenance schedules
- Reduces setup time for more efficient hose routing

Applications

- Used in equipment for oilfield, industrial hydraulic, and construction

Sizes

- Body: ¼" to 1"

Features

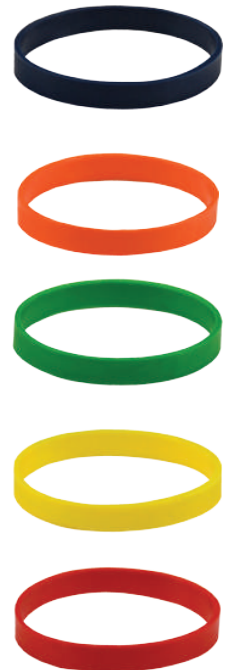
- Blue band standard; color bands sold separately (orange, green, yellow, and red)
- No special tools required - field replaceable
- Also available in connect-under-pressure HTE-Series and HTZ-Series

Materials

- Steel and 316 stainless steel
- Nitrile/polyurethane seals standard; additional seal materials are available
- Polyurethane color bands

Specifications

- Temperature range: -40°F to 212°F (-40°C to 100°C) with standard seals
- 5,000 PSI from ¼" - 1"
- ISO 16028 interchange
- Interchangeable with Parker FEM, Stucchi FIRG - Series A, Faster FFH, Eaton FF - FD89, Holmbury HQ



Body Size	Description	Blue Part #	Orange Part #	Green Part #	Yellow Part #	Red Part #
¼"	coupler band	2HTBAND-B	2HTBAND-O	2HTBAND-G	2HTBAND-Y	2HTBAND-R
¼"	plug band	HT2BAND-B	HT2BAND-O	HT2BAND-G	HT2BAND-Y	HT2BAND-R
⅜"	coupler band	3HTBAND-B	3HTBAND-O	3HTBAND-G	3HTBAND-Y	3HTBAND-R
⅜"	plug band	HT3BAND-B	HT3BAND-O	HT3BAND-G	HT3BAND-Y	HT3BAND-R
½"	coupler band	4HTBAND-B	4HTBAND-O	4HTBAND-G	4HTBAND-Y	4HTBAND-R
½"	plug band	HT4BAND-B	HT4BAND-O	HT4BAND-G	HT4BAND-Y	HT4BAND-R
⅝"	coupler band	5HTBAND-B	5HTBAND-O	5HTBAND-G	5HTBAND-Y	5HTBAND-R
⅝"	plug band	HT5BAND-B	HT5BAND-O	HT5BAND-G	HT5BAND-Y	HT5BAND-R
¾"	coupler band	6HTBAND-B	6HTBAND-O	6HTBAND-G	6HTBAND-Y	6HTBAND-R
¾"	plug band	HT6BAND-B	HT6BAND-O	HT6BAND-G	HT6BAND-Y	HT6BAND-R
1"	coupler band	8HTBAND-B	8HTBAND-O	8HTBAND-G	8HTBAND-Y	8HTBAND-R
1"	plug band	HT8BAND-B	HT8BAND-O	HT8BAND-G	HT8BAND-Y	HT8BAND-R

HT-Series Correct Connect®

Features

- Minimizes fluid loss resulting in a cleaner, safe work environment
- Automatic, push-to-connect couplings provide high flow with minimal pressure drop assuring maximum hydraulic system performance
- To reduce the possibility of accidental disconnect, the sleeve lock safety feature requires turning the collar to unlock the coupling
- Contact Dixon for additional seal material options, pressure ratings, and other technical information
- Conforms to ISO16028 interchange standard; interchangeable with Eaton/Hansen FF, Parker FEM, Snap-tite 74, Faster FFH/2FFN/2FFI, Stucchi A/FIRG, and Holmbury HQ/A/FIMC

Flushface Female Threaded Couplers

Body Size	Threads	Steel Part #	316 Stainless Steel Part #
1/4"	1/4" - 18 NPTF	2HTF2	---
	1/4" - 19 BSPP	2HTBF2	---
	9/16" - 18 ORB	2HTOF3	---
3/8"	3/8" - 18 NPTF	3HTF3	3HTF3-SS
	3/8" - 19 BSPP	3HTBF3	3HTBF3-SS
	9/16" - 18 ORB	3HTOF3	---
	1/2" - 14 NPTF	3HTF4	3HTF4-SS
	1/2" - 14 BSPP	3HTBF4	3HTBF4-SS
	3/4" - 16 ORB	3HTOF4	---
1/2"	1/2" - 14 NPTF	4HTF4	4HTF4-SS
	1/2" - 14 BSPP	4HTBF4	4HTBF4-SS
	3/4" - 16 ORB	4HTOF4	---
	7/8" - 14 ORB	4HTOF5	---
	3/4" - 14 NPTF	4HTF6	4HTF6-SS
	3/4" - 14 BSPP	4HTBF6	4HTBF6-SS
	1 1/16" - 12 ORB	4HTOF6	---
5/8"	7/8" - 14 ORB	5HTOF5	---
	3/4" - 14 NPTF	5HTF6	5HTF6-SS
	3/4" - 14 BSPP	5HTBF6	5HTBF6-SS
	1 1/16" - 12 ORB	5HTOF6	---
	7/8" - 14 ORB	6HTOF5	---
3/4"	3/4" - 14 NPTF	6HTF6	6HTF6-SS
	3/4" - 14 BSPP	6HTBF6	6HTBF6-SS
	1 1/16" - 12 ORB	6HTOF6	---
	1" - 11 1/2 NPTF	6HTF8	6HTF8-SS
	1" - 11 BSPP	6HTBF8	6HTBF8-SS
	1 5/16" - 12 ORB	6HTOF8	---
	1" - 11 1/2 NPTF	8HTF8	8HTF8-SS
1"	1" - 11 BSPP	8HTBF8	8HTBF8-SS
	1 5/16" - 12 ORB	8HTOF8	---
	1 1/4" - 11 1/2 NPTF	8HTF10	8HTF10-SS
	1 1/4" - 11 BSPP	8HTBF10	8HTBF10-SS
	1 5/8" - 12 ORB	8HTOF10	---
1 1/2"	1 1/2" - 11 1/2 NPTF	12HTF12	---
	1 1/2" - 11 BSPP	12HTBF12	---
	1 7/8" - 12 ORB	12HTOF12	---
2"	2" - 11 1/2 NPTF	16HTF16	---
	2" - 11 BSPP	16HTBF16	---
	2 1/2" - 12 ORB	16HTOF16	---



steel



316 stainless



4HTM4



3HTOM4

Flushface Male Threaded Couplers

Body Size	Threads	Steel Part #
3/8"	3/8" - 18 NPTF	3HTM3
	1/2" - 14 NPTF	3HTM4
	9/16" - 18 ORB	3HTOM3
	3/4" - 16 ORB	3HTOM4
1/2"	1/2" - 14 NPTF	4HTM4

HT-Series Correct Connect®

Flushface Female Threaded Plugs

Body Size	Threads	Steel Part #	316 Stainless Steel Part #
1/4"	1/4" - 18 NPTF	HT2F2	---
	1/4" - 19 BSPP	HT2BF2	---
	9/16" - 18 ORB	HT2OF3	---
3/8"	3/8" - 18 NPTF	HT3F3	HT3F3-SS
	3/8" - 19 BSPP	HT3BF3	HT3BF3-SS
	9/16" - 18 ORB	HT3OF3	---
	1/2" - 14 NPTF	HT3F4	HT3F4-SS
	1/2" - 14 BSPP	HT3BF4	HT3BF4-SS
	3/4" - 16 ORB	HT3OF4	---
	1/2"	1/2" - 14 NPTF	HT4F4
1/2" - 14 BSPP		HT4BF4	HT4BF4-SS
3/4" - 16 ORB		HT4OF4	---
7/8" - 14 ORB		HT4OF5	---
3/4" - 14 NPTF		HT4F6	HT4F6-SS
3/4" - 14 BSPP		HT4BF6	HT4BF6-SS
5/8"		1 1/16" - 12 ORB	HT4OF6
	7/8" - 14 ORB	HT5OF5	---
	3/4" - 14 NPTF	HT5F6	HT5F6-SS
	3/4" - 14 BSPP	HT5BF6	HT5BF6-SS
3/4"	1 1/16" - 12 ORB	HT5OF6	---
	7/8" - 14 ORB	HT6OF5	---
	3/4" - 14 NPTF	HT6F6	HT6F6-SS
	3/4" - 14 BSPP	HT6BF6	HT6BF6-SS
	1 1/16" - 12 ORB	HT6OF6	---
	1" - 11 1/2 NPTF	HT6F8	HT6F8-SS
	1" - 11 BSPP	HT6BF8	HT6BF8-SS
1"	1 5/16" - 12 ORB	HT6OF8	---
	1" - 11 1/2 NPTF	HT8F8	HT8F8-SS
	1" - 11 BSPP	HT8BF8	HT8BF8-SS
	1 5/16" - 12 ORB	HT8OF8	---
	1 1/4" - 11 1/2 NPTF	HT8F10	HT8F10-SS
1 1/2"	1 1/4" - 11 BSPP	HT8BF10	HT8BF10-SS
	1 5/8" - 12 ORB	HT8OF10	---
	1 1/2" - 11 1/2 NPTF	HT12F12	---
2"	1 1/2" - 11 BSPP	HT12BF12	---
	1 7/8" - 12 ORB	HT12OF12	---
	2" - 11 1/2 NPTF	HT16F16	---
	2" - 11 BSPP	HT16BF16	---
2"	2 1/2" - 12 ORB	HT16OF16	---



steel



316 stainless

Flushface Male Threaded Plugs

Body Size	Threads	Steel Part #
3/8"	3/8" - 18 NPTF	HT3M3
	1/2" - 14 NPTF	HT3M4
	9/16" - 18 ORB	HT3OM3
	3/4" - 16 ORB	HT3OM4
1/2"	1/2" - 14 NPTF	HT4M4



HT4M4



HT3OM4

HT-Series Correct Connect®

Flushface Male Threaded Bulkhead Couplers



4HTJB5



4HTRB5

Body Size	Threads	Steel Part #
1/2"	13/16" - 16 ORFS BH	4HTRB4
	7/8" - 14 JIC BH	4HTJB5
	1" - 14 ORFS BH	4HTRB5
	1 1/16" - 12 JIC BH	4HTJB6
	1 3/16" - 12 ORFS BH	4HTRB6

Flushface Male Threaded Bulkhead Plugs



HT4JB5



HT4RB5

Body Size	Threads	Steel Part #
1/2"	13/16" - 16 ORFS BH	HT4RB4
	7/8" - 14 JIC BH	HT4JB5
	1" - 14 ORFS BH	HT4RB5
	1 1/16" - 12 JIC BH	HT4JB6
	1 3/16" - 12 ORFS BH	HT4RB6

Flushface 90° Female Threaded Couplers



Body Size

Threads

Steel Part #

1/2"

9/16" - 18 ORB

4HT9OF3

3/4" - 16 ORB

4HT9OF4

Flushface 90° Female Threaded Plugs



Body Size

Threads

Steel Part #

1/2"

9/16" - 18 ORB

HT49OF3

3/4" - 16 ORB

HT49OF4

HTE-Series Correct Connect®

Connect Under Pressure Flushface Female Threaded Plug

Features

- No maximum connection-pressure restrictions, up to **5,000 PSI**
- Head pressure or valve bleed-by has minimal effect on connection force
- Less susceptible to system contamination
- Design is scalable performing similarly in all sizes
- Smooth connection action
- Connectable with trapped pressure on HTE half only
- For use with HTZ- or HT-Series couplers

Specifications

- Pressure rating: **5,000 PSI at 70°F (21°C)**
- Conforms to ISO16028

Body Size	Threads	Steel Part #
3/8"	1/2"-14 NPTF	HTE3F4
	1/2"-14 BSPP	HTE3BF4
	3/4"-16 ORB	HTE30F4
1/2"	1/2"-14 NPTF	HTE4F4
	1/2"-14 BSPP	HTE4BF4
	3/4"-16 ORB	HTE40F4
	7/8"-14 ORB	HTE40F5
	3/4"-14 NPTF	HTE4F6
	3/4"-14 BSPP	HTE4BF6
	1 1/16"-12 ORB	HTE40F6
5/8"	7/8"-14 ORB	HTE50F5
	3/4"-14 NPTF	HTE5F6
	3/4"-14 BSPP	HTE5BF6
	1 1/16"-12 ORB	HTE50F6
3/4"	3/4"-14 NPTF	HTE6F6
	3/4"-14 BSPP	HTE6BF6
	1 1/16"-12 ORB	HTE60F6
	1"-11 1/2 NPTF	HTE6F8
	1"-11 BSPP	HTE6BF8
	1 5/16"-12 ORB	HTE60F8
1"	1"-11 1/2 NPTF	HTE8F8
	1"-11 BSPP	HTE8BF8
	1 5/16"-12 ORB	HTE80F8
	1 1/4"-11 1/2 NPTF	HTE8F10
	1 1/4"-11 BSPP	HTE8BF10
	1 5/8"-12 ORB	HTE80F10



HTZ-Series Correct Connect®

Flush Face Female Threaded Coupler

Features

- For use with HT- or HTE-Series plugs
- Connectable with trapped pressure on HTZ half only

Specifications

- Connect under pressure up to **1,500 PSI at 70°F (21°C)**
- Pressure rating **5,000 PSI at 70°F (21°C)**



Body Size	Threads	Steel Part #
1/2"	1/2"-14 NPTF	4HTZF4
	3/4"-14 NPTF	4HTZF6
	3/4"-16 ORB	4HTZOF4
	7/8"-14 ORB	4HTZOF5
	1 1/16"-12 ORB	4HTZOF6

Flat Face ISO16028 – AG ISO7241-A Adapter

Features

- Easily adapt machinery that uses AG style quick disconnects with flat face attachments or machinery that has flat face style quick disconnects with attachments that use the AG style
- Includes Correct Connect® color banding system

Specification

- Maximum working pressure: **4,000 PSI at 70°F (21°C)**



4HTAG4



4AGHT4

Body Size	Description	Steel Part #
1/2"	ISO16028 flat face coupler x AG ISO7241-A plug	4HTAG4
	AG ISO7241-A coupler x ISO16028 flat face plug	4AGHT4

TD-Series: 15K and 20K Pressure Couplings

Application

- Commonly used on water-blast or wireline equipment and pump systems

Sizes

- 1/2" body
- 1/2" FNPT or 9/16" MP threads

Features

- Unvalved, high flow
- Thread to connect
- Dust caps and plugs available

Materials

- Machined components are manufactured using 316 stainless steel bar stock
- Stainless steel retaining ring maximizes corrosion resistance and extends service life
- Couplers have a nitrile anti-extrusion ring, providing resistance to O-ring dynamic impulse pressure damage
- Nitrile (Buna-N) seals are standard

Specifications

- Temperature range: -40°F to 250°F (-40°C to 121°C)
- 15,000 PSI for NPTF threads; 20,000 PSI for MP threads
- Interchangeable with SPIR STAR CQD Series, DNP CRS Series, and Jetstream Screw Type



4TDF4-SS



TD4F4-SS



4TDPF4.5-SS



TD4PF4.5-SS

Body Size	Threads	Description	Stainless Steel Part #
1/2"	1/2" - 14 NPTF	coupler	4TDF4-SS
		plug	TD4F4-SS
	9/16" MP	coupler	4TDPF4.5-SS
		plug	TD4PF4.5-SS

Dust Caps

Body Size	Threads	Aluminum Part #
1/2"	1/2" - 14 NPTF	TD4DC-A
	9/16" MP	TD4.5DC-A



Dust Plugs

Body Size	Threads	Aluminum Part #
1/2"	1/2" - 14 NPTF	4TDDP-A
	9/16" MP	4.5TDDP-A



Rapp-it Pipe Repair Kit

Applications

- On-site emergency pipe repair in varied industrial applications: mining, processing, oil and gas, petrochemical, manufacturing, marine, and agricultural industries for use with steel, poly, PVC, copper, and concrete



Sizes

- 2" x 12', 3" x 12', 4" x 12', 4" x 16', 4" x 30'

Features

- No mixing or measuring required; easy to apply
- Quickly contains leaking substances, keeping a workplace safe
- Tenacious bond: 5 to 10 min.; functional cure: approx. 30 min.
- One product that can be used on a vast array of pipe sizes, shapes, and materials
- Suitable for use on acid lines, gas, most diluted chemicals, sea water, fuels, and oil
- Chemical resistance: resistant to hydrocarbons, ketones, esters, alcohols, halocarbons, aqueous salt solutions, dilute acids/bases
- Suitable for wet or dry pipe: apply under fresh and saltwater

Materials

- Bandage: woven fiberglass
- Resin: water-activated polyurethane resin

Specifications

- Pressure resistance up to **360 PSI (2,500kPA)**
- Shore D hardness at full cure (24 hours): 80 durometer
- Lap shear tensile strength on steel (1" x 1" x 1/16") 400kg (6.2MPa)
- Compressive strength **8,000 PSI (55 MPa)**
- Temperatures:
 Continuous -40°F to 250°F (-40° to 121°C)
 Intermittent -40°F to 300°F (-40° to 149°C)
 Heat resistance: 300°F (150°C)

Approval

- NATO Certification 4730-66-1257893

Size	Description	Part #
2" x 12'	kit includes woven fiberglass bandage infused with water-activated resin and a 90 mm stick of Rapp-it Steel Putty	RAP122
3" x 12'		RAP123
4" x 12'		RAP124
4" x 16'		RAP164
4" x 30'		RAP304

Rapp-it Pipe Repair Kit Display

Features

- Rapp-It pipe repair kit not included
- Displays up to six Rapp-It repair kits
- Display box must be assembled by customer



Size	Description	Part #
9½" L x 11½" W x 16" H	display includes box, 30 full-color repair kit product flyer's, and one pipe sample; Repair kit product is not included, see display fill	RAPDISPLAY
---	display fill includes 2 repair kits of each size (10 kits total); display not included	RAPDISPLAYFILL

Limited Warranty

DIXON VALVE AND COUPLING COMPANY, LLC (herein called "Dixon") warrants the products described herein and manufactured by Dixon to be free from defects in material and workmanship for a period of one (1) year from date of shipment by Dixon under normal use and service. Its sole obligation under this warranty being limited to repairing or replacing, as hereinafter provided, at its option any product found to Dixon's satisfaction to be defective upon examination by it, provided that such product shall be returned for inspection to Dixon's factory within three (3) months after discovery of the defect. The repair or replacement of defective products will be made without charge for parts or labor. This warranty shall not apply to: (a) parts or products not manufactured by Dixon, the warranty of such items being limited to the actual warranty extended to Dixon by its supplier; (b) any product that has been subject to abuse, negligence, accident, or misapplication; (c) any product altered or repaired by others than Dixon; and (d) to normal maintenance services and the replacement of service items (such as washers, gaskets, and lubricants) made in connection with such services. To the extent permitted by law, this limited warranty shall extend only to the buyer and any other person reasonably expected to use or consume the goods who is injured in person by any breach of the warranty. No action may be brought against Dixon for an alleged breach of warranty unless such action is instituted within one (1) year from the date the cause of action accrues. This limited warranty shall be construed and enforced to the fullest extent allowable by applicable law.

Other than the obligation of Dixon set forth herein, Dixon disclaims all warranties, express or implied, including but not limited to any implied warranties of merchantability or fitness for a particular purpose, and any other obligation or liability. The foregoing constitutes Dixon's sole obligation with respect to damages, whether direct, incidental, or consequential, resulting from the use or performance of the product.

Some products and sizes may be discontinued when stock is depleted or may require a minimum quantity for ordering.

Limits of Liability

This catalog is intended as a product offering. It is not intended to be a user or technical manual. Information in this catalog is subject to change without notice. All users and distributors of products sold through this catalog should contact Dixon with questions of use, compatibilities, coupling procedures, and life of product. Our full-time engineering and test staff are always available to recommend uses and to assist distributors and users with any questions.



Safety



Safety logos, which appear throughout our catalog, are used as a reminder that the user should carefully review for the appropriateness of the product for the media, application, and environment in which it will be used.

NOTE: Because of the health hazards associated with contamination and lead content in drinking water systems, Dixon couplings, unless otherwise specifically approved, are not recommended for potable water service and should not be used in applications where drinking water will contact the wetted surfaces of the coupling.

Warning: Dixon products may contain chemicals known to the State of California to cause cancer, birth defects, or other reproductive harm.



Trademarks

Delrin® and Zytel® are registered trademarks of E.I. duPont Nemours and Company.

Kalrez® is a registered trademark of DuPont Dow Elastomers.

All other trademarks appearing in the Dixon illustrated price list are the property of their respective owners.

Copyright

Copyright © 2020 by Dixon Valve and Coupling, LLC

All rights reserved. This book is copyrighted material. Use, reproduction or copying of it by anyone other than Dixon® is strictly forbidden without its express written consent.

NOTE: Reasonable care has been taken in preparing this catalog. Dixon Valve & Coupling Company, LLC reserves the right to make corrections.

